

CESAB B300/B400 1.5 - 2.0 tonne

Electric Powered Forklifts 3 - 4 wheels



Truck Specifications



CESAB B315 - B316L Truck Specifications

CHARACTERISTICS							
1.1	Manufacturer		CESAB		CESAB		CESAB
1.2	Model designation		B 315		B 316		B 316L
1.3	Power unit: electric (battery), diesel, petrol, LPG		Electric		Electric		Electric
1.4	Operation: manual, pedestrian, stand-on, driver seated		Driver seated		Driver seated		Driver seated
1.5	Load capacity	Q [t]	1,5		1,6		1,6
1.6	Load centre	c [mm]	500		500		500
1.8	Axle centre to fork face	x [mm]	351,5	b	351,5	b	351,5
1.9	Wheel-base	y [mm]	1262		1370		1478
WEIGHTS							
2.1	Weight	kg	3044	a	3067	a	3104
2.2	Axle load with load, front/rear	kg	3947 / 597		4110 / 557		4118 / 586
2.3	Axle load without load, front/rear	kg	1434 / 1610		1515 / 1552		1596 / 1508
WHEELS AND CHASSIS							
3.1	Tyres: C=Cushion, SE=Superelastic, PN=Pneumatic, TW=Twin		C / SE	c	C / SE	c	C / SE
3.2	Tyre size, front		432x152 / 18x7-8		432x152 / 18x7-8		432x152 / 18x7-8
3.3	Tyre size, rear		381x127 / 140/55-9		381x127 / 140/55-9		381x127 / 140/55-9
3.5	Wheels, number front/rear (x = driven)		2x / 2		2x / 2		2x / 2
3.6	Track width, front	b ₁₀ [mm]	889 / 901	c	889 / 901	c	889 / 901
3.7	Track width, rear	b ₁₁ [mm]	192 / 185	c	192 / 185	c	192 / 185
DIMENSIONS							
4.1	Mast tilt, forward/backward	α / β [°]	5° / 7°	e	5° / 7°	e	5° / 7°
4.2	Height of mast, lowered	h ₁ [mm]	2160		2160		2160
4.3	Free lift	h ₂ [mm]	80		80		80
4.4	Lift height	h ₃ [mm]	3170		3170		3170
4.5	Height of mast, extended	h ₄ [mm]	3720		3720		3720
4.7	Height of overhead guard	h ₆ [mm]	2050		2050		2050
4.8	Height of driver's seat	h ₇ [mm]	937		937		937
4.12	Towing coupling height	h ₁₀ [mm]	500		500		500
4.19	Overall length	l ₁ [mm]	2803	b	2886	b	2994
4.20	Length to fork face	l ₂ [mm]	1803	b	1886	b	1994
4.21	Overall width	b ₁ , b ₂ [mm]	1050		1050		1050
4.22	Fork dimensions	s/e/l [mm]	35x100x1000		35x100x1000		35x100x1000
4.23	Fork carriage to DIN 15173, class/form A, B		II A		II A		II A
4.24	Width of fork carriage	b ₃ [mm]	1020		1020		1020
4.31	Floor clearance, mast (with load)	m ₁ [mm]	100		100		100
4.32	Floor clearance, centre of wheel-base (with load)	m ₂ [mm]	90		90		90
4.33	Aisle width with pallets 1000 x 1200 across forks	Ast [mm]	3130		3213		3321
4.34	Aisle width with pallets 800 x 1200 along forks	Ast [mm]	3254		3336		3444
4.35	Turning radius	Wa [mm]	1451,5		1534,5		1642,5
4.36	Minimum distance between the centres of rotation	b ₁₃ [mm]	---		---		---
PERFORMANCES							
5.1	Travel speed, with/without load	km/h	16 / 16		16 / 16		16 / 16
5.2	Lifting speed, with/without load	m/s	0,4/0,6		0,4/0,6		0,4/0,6
5.3	Lowering speed, with/without load	m/s	0,55 / 0,50		0,55 / 0,50		0,55 / 0,50
5.5	Tractive force, with/without load	N	5200/5400		5200/5400		5200/5400
5.6	Maximum tractive force, with/without load, S2 5 minute rating	N	14450/15000	d	14450/15000	d	14450/15000
5.7	Climbing ability, with/without load, S2 30 minute rating	%	14/16,5		13,5/ 16		13,5/ 16
5.8	Maximum climbing ability, with/without load, S2 5 minute rating	%	28 / 32	d	27 / 31	d	27 / 31
5.9	Acceleration time, with/without load	s	---		---		---
5.10	Service brake: mechanical/hydraulic/electric/pneumatic		Electronic/Hydraulic		Electronic/Hydraulic		Electronic/Hydraulic
ELECTRIC MOTOR							
6.1	Drive motor, S2 60 minute rating	kW	6 x 2		6 x 2		6 x 2
6.2	Lift motor, S3 15% rating	kW	15,8		15,8		15,8
6.3	Battery according DIN 43531/35/36 A, B, C, NO						
6.4	Battery voltage/rated capacity (5 h)	V/Ah	48 / 420-500		48 / 525-625		48 / 690-750
6.5	Battery weight	kg	708		856		1013
6.6	Energy consumption in acc. with VDI cycle	kWh/h	---		---		---
OTHERS							
8.1	Type of drive control		Inverter MOSFET		Inverter MOSFET		Inverter MOSFET
8.2	Working pressure for attachments bar	bar	140		140		140
8.3	Oil flow for attachments	l/min	---		---		---
8.4	Noise level at the driver's ear	dB (A)	---		---		---
8.5	Towing coupling, design/type DIN		---		---		---

a) Battery included b) With side shift = + 34 mm c) C / SE d) Data refer to the electric motors and transmission capacity e) 5° backward with front panel and cabin NOTES: Unless otherwise specified, all data refer to vehicles with SE tyres. All performance figures refer to fully run-in vehicles, in perfect working status with homologated tyres mix, battery fully charged and excellent conditions with closed circuit voltage equal to nominal value. Truck performance and dimensions are nominal and subject to tolerances.



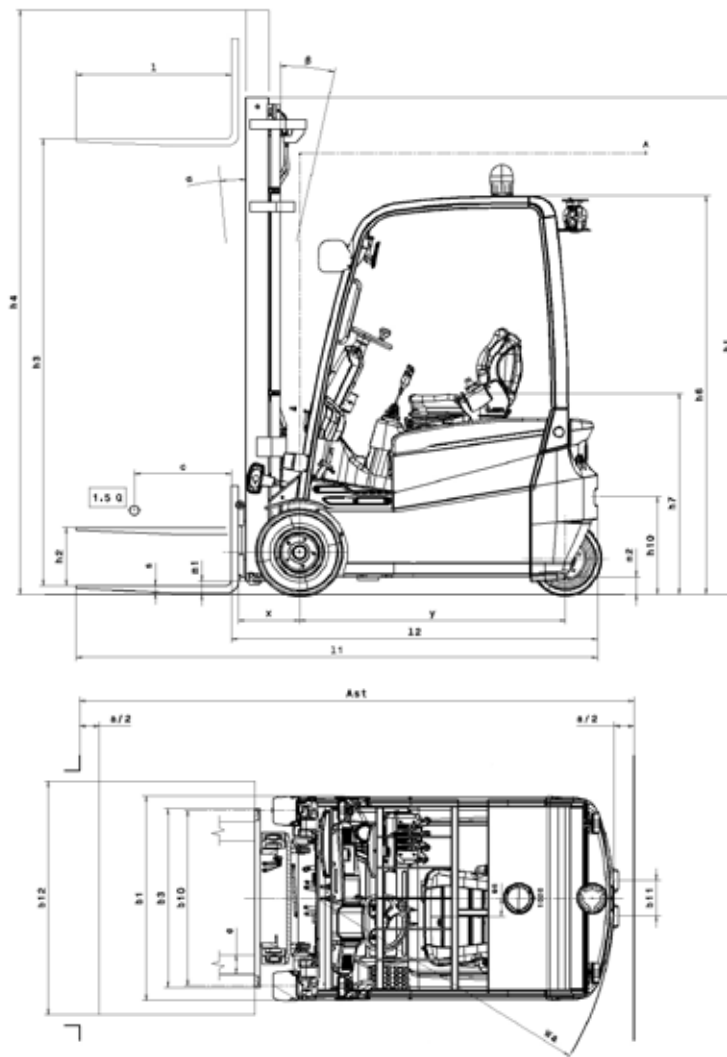
CESAB B318 - B320 Truck Specifications

CHARACTERISTICS							
1.1	Manufacturer		CESAB		CESAB		CESAB
1.2	Model designation		B 318		B 318L		B 320
1.3	Power unit: electric (battery), diesel, petrol, LPG		Electric		Electric		Electric
1.4	Operation: manual, pedestrian, stand-on, driver seated		Driver seated		Driver seated		Driver seated
1.5	Load capacity	Q [t]	1,8		1,8		2,0
1.6	Load centre	c [mm]	500		500		500
1.8	Axle centre to fork face	x [mm]	365,5	b	365,5	b	365,5
1.9	Wheel-base	y [mm]	1370		1478		1478
WEIGHTS							
2.1	Weight	kg	3299	a	3333	a	3483
2.2	Axle load with load, front/rear	kg	4540 / 559		4545 / 588		4586 / 627
2.3	Axle load without load, front/rear	kg	1603 / 1696		1691 / 1642		1685 / 1798
WHEELS AND CHASSIS							
3.1	Tyres: C=Cushion, SE=Superelastic, PN=Pneumatic, TW=Twin		C / SE	c	C / SE	c	C / SE
3.2	Tyre size, front		457x178 / 200/50-10		457x178 / 200/50-10		457x178 / 200/50-10
3.3	Tyre size, rear		381x127 / 140/55-9		381x127 / 140/55-9		381x127 / 140/55-9
3.5	Wheels, number front/rear (x = driven)		2x / 2		2x / 2		2x / 2
3.6	Track width, front	b ₁₀ [mm]	879 / 916	c	879 / 916	c	879 / 916
3.7	Track width, rear	b ₁₁ [mm]	192 / 185	c	192 / 185	c	192 / 185
DIMENSIONS							
4.1	Mast tilt, forward/backward	α / β [°]	5° / 7°	e	5° / 7°	e	5° / 7°
4.2	Height of mast, lowered	h ₁ [mm]	2160		2160		2160
4.3	Free lift	h ₂ [mm]	80		80		80
4.4	Lift height	h ₃ [mm]	3170		3170		3170
4.5	Height of mast, extended	h ₄ [mm]	3720		3720		3720
4.7	Height of overhead guard	h ₆ [mm]	2050		2050		2050
4.8	Height of driver's seat	h ₇ [mm]	937		937		937
4.12	Towing coupling height	h ₁₀ [mm]	500		500		500
4.19	Overall length	l ₁ [mm]	2925	b	3008	b	3033
4.20	Length to fork face	l ₂ [mm]	1925	b	2008	b	2033
4.21	Overall width	b ₁ /b ₂ [mm]	1057 / 1109	c	1057 / 1109	c	1057 / 1109
4.22	Fork dimensions	s/e/l [mm]	35x120x1000		35x120x1000		35x120x1000
4.23	Fork carriage to DIN 15173, class/form A, B		II A		II A		II A
4.24	Width of fork carriage	b ₃ [mm]	1020		1020		1020
4.31	Floor clearance, mast (with load)	m ₁ [mm]	100		100		100
4.32	Floor clearance, centre of wheel-base (with load)	m ₂ [mm]	90		90		90
4.33	Aisle width with pallets 1000 x 1200 across forks	Ast [mm]	3251		3334		3359
4.34	Aisle width with pallets 800 x 1200 along forks	Ast [mm]	3375		3458		3483
4.35	Turning radius	Wa [mm]	1559,5		1642,5		1667,5
4.36	Minimum distance between the centres of rotation	b ₁₃ [mm]	---		---		---
PERFORMANCES							
5.1	Travel speed, with/without load	km/h	16 / 16		16 / 16		16 / 16
5.2	Lifting speed, with/without load	m/s	0,4/0,6		0,4/0,6		0,4/0,6
5.3	Lowering speed, with/without load	m/s	0,55 / 0,50		0,55 / 0,50		0,55 / 0,50
5.5	Tractive force, with/without load	N	5200/5400		5200/5400		5200/5400
5.6	Maximum tractive force, with/without load, S2 5 minute rating	N	14450/15000	d	14450/15000	d	14450/15000
5.7	Climbing ability, with/without load, S2 30 minute rating	%	13 / 15,5		13 / 15,5		13 / 15,5
5.8	Maximum climbing ability, with/without load, S2 5 minute rating	%	25 / 30	d	25 / 30	d	23 / 29
5.9	Acceleration time, with/without load	s	---		---		---
5.10	Service brake: mechanical/hydraulic/electric/pneumatic		Electronic/Hydraulic		Electronic/Hydraulic		Electronic/Hydraulic
ELECTRIC MOTOR							
6.1	Drive motor, S2 60 minute rating	kW	6 x 2		6 x 2		6 x 2
6.2	Lift motor, S3 15% rating	kW	15,8		15,8		15,8
6.3	Battery according DIN 43531/35/36 A, B, C, NO						
6.4	Battery voltage/rated capacity (5 h)	V/Ah	48 / 525-625		48 / 690-750		48 / 690-750
6.5	Battery weight	kg	856		1013		1013
6.6	Energy consumption in acc. with VDI cycle	kWh/h	---		---		---
OTHERS							
8.1	Type of drive control		Inverter MOSFET		Inverter MOSFET		Inverter MOSFET
8.2	Working pressure for attachments bar	bar	140		140		140
8.3	Oil flow for attachments	l/min	---		---		---
8.4	Noise level at the driver's ear	dB (A)	---		---		---
8.5	Towing coupling, design/type DIN		---		---		---

a) Battery included b) With side shift = + 34 mm c) C / SE d) Data refer to the electric motors and transmission capacity e) 5° backward with front panel and cabin NOTES: Unless otherwise specified, all data refer to vehicles with SE tyres. All performance figures refer to fully run-in vehicles, in perfect working status with homologated tyres mix, battery fully charged and excellent conditions with closed circuit voltage equal to nominal value. Truck performance and dimensions are nominal and subject to tolerances.



CESAB B315 - B320 Dimensional Drawings



The data in this specification sheet was determined based on our standard testing conditions. Operating performance may vary depending on the actual specification and condition of the truck as well as the condition of the operating area. Availability and specifications are determined regionally and are subject to change without notice. Please consult your authorised CESAB dealership for further details.

Mast Specifications

Mast Specifications Duplex NFL (1,5-1,6t)

h ₃	Lift height	3170	3670	3970
h ₁	Height of mast, lowered	2160	2410	2560
h ₂	Free lift	80		
h ₄	Height of mast, extended	3720	4220	4520
α/β	Mast tilt forw./backw.	5° / 7°		

Mast Specifications Triplex FFL (1,5-1,6t)

h ₃	Lift height	4470	4670	4970
h ₁	Height of mast, lowered	2060	2160	2260
h ₂	Free lift	1480	1580	1680
h ₄	Height of mast, extended	5050	5250	5550
α/β	Mast tilt forw./backw.	5° / 7°		

Mast Specifications Duplex FFL (1,8-2,0t)

h ₃	Lift height	3170	3670	3970
h ₁	Height of mast, lowered	2160	2410	2560
h ₂	Free lift	1580	1830	1980
h ₄	Height of mast, extended	3750	4250	4550
α/β	Mast tilt forw./backw.	5° / 7°		

Mast Specifications Duplex FFL (1,5-1,6t)

h ₃	Lift height	3170	3670	3970
h ₁	Height of mast, lowered	2160	2410	2560
h ₂	Free lift	1580	1830	1980
h ₄	Height of mast, extended	3750	4250	4550
α/β	Mast tilt forw./backw.	5° / 7°		

Mast Specifications Duplex NFL (1,8-2,0t)

h ₃	Lift height	3170	3670	3970
h ₁	Height of mast, lowered	2160	2410	2560
h ₂	Free lift	80		
h ₄	Height of mast, extended	3720	4220	4520
α/β	Mast tilt forw./backw.	5° / 7°		

Mast Specifications Triplex FFL (1,8-2,0t)

h ₃	Lift height	4470	4670	4970
h ₁	Height of mast, lowered	2060	2160	2260
h ₂	Free lift	1480	1580	1680
h ₄	Height of mast, extended	5050	5250	5550
α/β	Mast tilt forw./backw.	5° / 7°		

CESAB B415 - B416L Truck Specifications

CHARACTERISTICS							
1.1	Manufacturer		CESAB		CESAB		CESAB
1.2	Model designation		B 415		B 416		B 416L
1.3	Power unit: electric (battery), diesel, petrol, LPG		Electric		Electric		Electric
1.4	Operation: manual, pedestrian, stand-on, driver seated		Driver seated		Driver seated		Driver seated
1.5	Load capacity	Q [t]	1,5		1,6		1,6
1.6	Load centre	c [mm]	500		500		500
1.8	Axle centre to fork face	x [mm]	351,5	b	351,5	b	351,5
1.9	Wheel-base	y [mm]	1312		1420		1528
WEIGHTS							
2.1	Weight	kg	2991	a	3055	a	3239
2.2	Axle load with load, front/rear	kg	3894 / 597		4067 / 588		4083 / 756
2.3	Axle load without load, front/rear	kg	1421 / 1570		1508 / 1547		1592 / 1647
WHEELS AND CHASSIS							
3.1	Tyres: C=Cushion, SE=Superelastic, PN=Pneumatic, TW=Twin		C / SE	c	C / SE	c	C / SE
3.2	Tyre size, front		432x152 / 18x7-8		432x152 / 18x7-8		432x152 / 18x7-8
3.3	Tyre size, rear		381x127 / 16x6-8		381x127 / 16x6-8		381x127 / 16x6-8
3.5	Wheels, number front/rear (x = driven)		2x / 2		2x / 2		2x / 2
3.6	Track width, front	b10 [mm]	889 / 901	c	889 / 901	c	889 / 901
3.7	Track width, rear	b11 [mm]	841 / 842	c	841 / 842	c	841 / 842
DIMENSIONS							
4.1	Mast tilt, forward/backward	α / β [°]	5° / 7°	e	5° / 7°	e	5° / 7°
4.2	Height of mast, lowered	h ₁ [mm]	2160		2160		2160
4.3	Free lift	h ₂ [mm]	80		80		80
4.4	Lift height	h ₃ [mm]	3170		3170		3170
4.5	Height of mast, extended	h ₄ [mm]	3720		3720		3720
4.7	Height of overhead guard	h ₆ [mm]	2050		2050		2050
4.8	Height of driver's seat	h ₇ [mm]	937		937		937
4.12	Towing coupling height	h ₁₀ [mm]	500		500		500
4.19	Overall length	l ₁ [mm]	2946	b	3054	b	3162
4.20	Length to fork face	l ₂ [mm]	1946	b	2054	b	2162
4.21	Overall width	b ₁ /b ₂ [mm]	1050		1050		1050
4.22	Fork dimensions	s/e/l [mm]	35x100x1000		35x100x1000		35x100x1000
4.23	Fork carriage to DIN 15173, class/form A, B		II A		II A		II A
4.24	Width of fork carriage	b ₃ [mm]	1020		1020		1020
4.31	Floor clearance, mast (with load)	m ₁ [mm]	100		100		100
4.32	Floor clearance, centre of wheel-base (with load)	m ₂ [mm]	90		90		90
4.33	Aisle width with pallets 1000 x 1200 across forks	Ast [mm]	3224		3329		3436
4.34	Aisle width with pallets 800 x 1200 along forks	Ast [mm]	3379		3483		3589
4.35	Turning radius	Wa [mm]	1616		1719		1823
4.36	Minimum distance between the centres of rotation	b ₁₃ [mm]	205		196		186
PERFORMANCES							
5.1	Travel speed, with/without load	km/h	19 / 19		19 / 19		19 / 19
5.2	Lifting speed, with/without load	m/s	0,4/0,6		0,4/0,6		0,4/0,6
5.3	Lowering speed, with/without load	m/s	0,55 / 0,50		0,55 / 0,50		0,55 / 0,50
5.5	Tractive force, with/without load	N	5200/5400		5200/5400		5200/5400
5.6	Maximum tractive force, with/without load, S2 5 minute rating	N	14450/15000	d	14450/15000	d	14450/15000
5.7	Climbing ability, with/without load, S2 30 minute rating	%	14/16,5		13,5/ 16		13,5/ 16
5.8	Maximum climbing ability, with/without load, S2 5 minute rating	%	28 / 32	d	27 / 31	d	27 / 31
5.9	Acceleration time, with/without load	s	---		---		---
5.10	Service brake: mechanical/hydraulic/electric/pneumatic		Electronic/Hydraulic		Electronic/Hydraulic		Electronic/Hydraulic
ELECTRIC MOTOR							
6.1	Drive motor, S2 60 minute rating	kW	6 x 2		6 x 2		6 x 2
6.2	Lift motor, S3 15% rating	kW	15,8		15,8		15,8
6.3	Battery according DIN 43531/35/36 A, B, C, NO						
6.4	Battery voltage/rated capacity (5 h)	V/Ah	48 / 420-500		48 / 525-625		48 / 690-750
6.5	Battery weight	kg	708		856		1013
6.6	Energy consumption in acc. with VDI cycle	kWh/h	---		---		---
OTHERS							
8.1	Type of drive control		Inverter MOSFET		Inverter MOSFET		Inverter MOSFET
8.2	Working pressure for attachments bar	bar	140		140		140
8.3	Oil flow for attachments	l/min	---		---		---
8.4	Noise level at the driver's ear	dB (A)	---		---		---
8.5	Towing coupling, design/type DIN		---		---		---

a) Battery included b) With side shift = + 34 mm c) C / SE d) Data refer to the electric motors and transmission capacity e) 5° backward with front panel and cabin NOTES: Unless otherwise specified, all data refer to vehicles with SE tyres. All performance figures refer to fully run-in vehicles, in perfect working status with homologated tyres mix, battery fully charged and excellent conditions with closed circuit voltage equal to nominal value. Truck performance and dimensions are nominal and subject to tolerances.



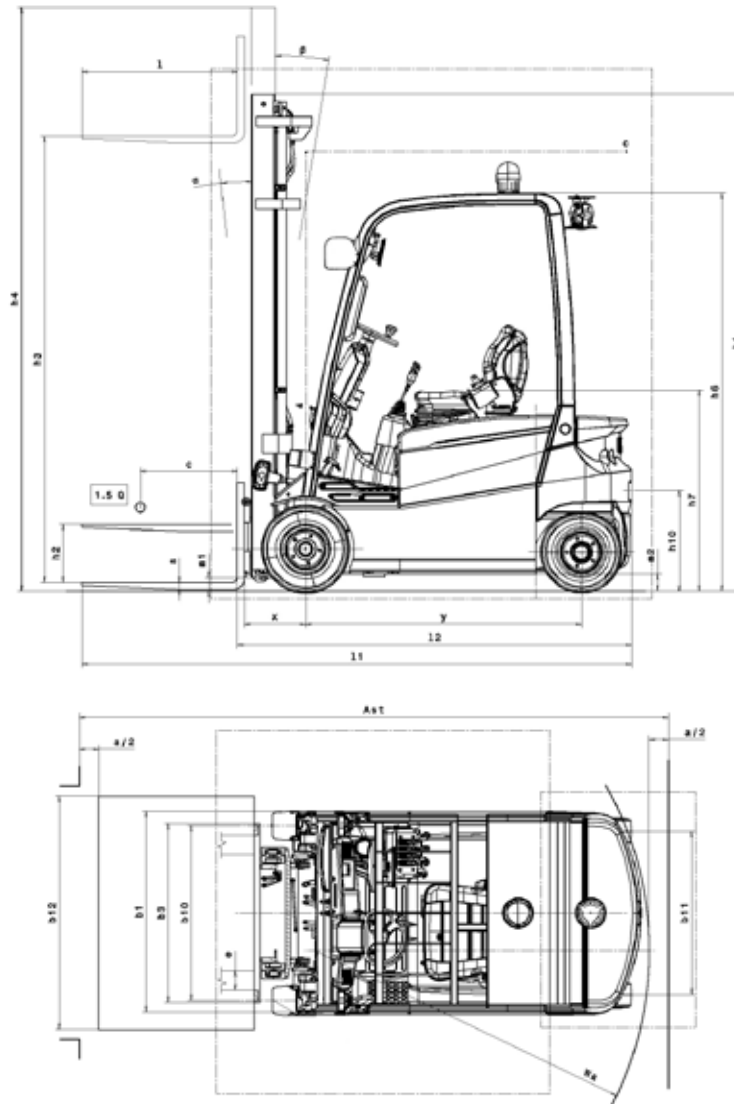
CESAB B418 - B420 Truck Specifications

CHARACTERISTICS							
1.1	Manufacturer		CESAB		CESAB		CESAB
1.2	Model designation		B 418		B 418L		B 420
1.3	Power unit: electric (battery), diesel, petrol, LPG		Electric		Electric		Electric
1.4	Operation: manual, pedestrian, stand-on, driver seated		Driver seated		Driver seated		Driver seated
1.5	Load capacity	Q [t]	1,8		1,8		2,0
1.6	Load centre	c [mm]	500		500		500
1.8	Axle centre to fork face	x [mm]	365,5	b	365,5	b	365,5
1.9	Wheel-base	y [mm]	1420		1528		1528
WEIGHTS							
2.1	Weight	kg	3243	a	3321	a	3427
2.2	Axle load with load, front/rear	kg	4494 / 549		4505 / 616		4813 / 614
2.3	Axle load without load, front/rear	kg	1597 / 1646		1685 / 1636		1680 / 1747
WHEELS AND CHASSIS							
3.1	Tyres: C=Cushion, SE=Superelastic, PN=Pneumatic, TW=Twin		C / SE	c	C / SE	c	C / SE
3.2	Tyre size, front		457x178 / 200/50-10		457x178 / 200/50-10		457x178 / 200/50-10
3.3	Tyre size, rear		381x127 / 16x6-8		381x127 / 16x6-8		381x127 / 16x6-8
3.5	Wheels, number front/rear (x = driven)		2x / 2		2x / 2		2x / 2
3.6	Track width, front	b ₁₀ [mm]	879 / 916	c	879 / 916	c	879 / 916
3.7	Track width, rear	b ₁₁ [mm]	841 / 842	c	841 / 842	c	841 / 842
DIMENSIONS							
4.1	Mast tilt, forward/backward	α / β [°]	5° / 7°	e	5° / 7°	e	5° / 7°
4.2	Height of mast, lowered	h ₁ [mm]	2160		2160		2160
4.3	Free lift	h ₂ [mm]	80		80		80
4.4	Lift height	h ₃ [mm]	3170		3170		3170
4.5	Height of mast, extended	h ₄ [mm]	3720		3720		3720
4.7	Height of overhead guard	h ₆ [mm]	2050		2050		2050
4.8	Height of driver's seat	h ₇ [mm]	937		937		937
4.12	Towing coupling height	h ₁₀ [mm]	500		500		500
4.19	Overall length	l ₁ [mm]	3068	b	3176	b	3176
4.20	Length to fork face	l ₂ [mm]	2068	b	2176	b	2176
4.21	Overall width	b ₁ ,b ₂ [mm]	1057 / 1109	c	1057 / 1109	c	1057 / 1109
4.22	Fork dimensions	s/e/l [mm]	35x120x1000		35x120x1000		35x120x1000
4.23	Fork carriage to DIN 15173, class/form A, B		II A		II A		II A
4.24	Width of fork carriage	b ₃ [mm]	1020		1020		1020
4.31	Floor clearance, mast (with load)	m ₁ [mm]	100		100		100
4.32	Floor clearance, centre of wheel-base (with load)	m ₂ [mm]	90		90		90
4.33	Aisle width with pallets 1000 x 1200 across forks	Ast [mm]	3343		3449		3449
4.34	Aisle width with pallets 800 x 1200 along forks	Ast [mm]	3497		3603		3603
4.35	Turning radius	Wa [mm]	1719		1823		1823
4.36	Minimum distance between the centres of rotation	b ₁₃ [mm]	196		186		186
PERFORMANCES							
5.1	Travel speed, with/without load	km/h	19 / 19		19 / 19		19 / 19
5.2	Lifting speed, with/without load	m/s	0,4/0,6		0,4/0,6		0,38/0,6
5.3	Lowering speed, with/without load	m/s	0,55 / 0,50		0,55 / 0,50		0,55 / 0,50
5.5	Tractive force, with/without load	N	5200/5400		5200/5400		5200/5400
5.6	Maximum tractive force, with/without load, S2 5 minute rating	N	14450/15000	d	14450/15000	d	14450/15000
5.7	Climbing ability, with/without load, S2 30 minute rating	%	13 / 15,5		13 / 15,5		13 / 15,5
5.8	Maximum climbing ability, with/without load, S2 5 minute rating	%	25 / 30	d	25 / 30	d	23 / 29
5.9	Acceleration time, with/without load	s	---		---		---
5.10	Service brake: mechanical/hydraulic/electric/pneumatic		Electronic/Hydraulic		Electronic/Hydraulic		Electronic/Hydraulic
ELECTRIC MOTOR							
6.1	Drive motor, S2 60 minute rating	kW	6 x 2		6 x 2		6 x 2
6.2	Lift motor, S3 15% rating	kW	15,8		15,8		15,8
6.3	Battery according DIN 43531/35/36 A, B, C, NO						
6.4	Battery voltage/rated capacity (5 h)	V/Ah	48 / 525-625		48 / 690-750		48 / 690-750
6.5	Battery weight	kg	856		1013		1013
6.6	Energy consumption in acc. with VDI cycle	kWh/h	---		---		---
OTHERS							
8.1	Type of drive control		Inverter MOSFET		Inverter MOSFET		Inverter MOSFET
8.2	Working pressure for attachments bar	bar	140		140		140
8.3	Oil flow for attachments	l/min	---		---		---
8.4	Noise level at the driver's ear	dB (A)	---		---		---
8.5	Towing coupling, design/type DIN		---		---		---

a) Battery included b) With side shift = + 34 mm c) C / SE d) Data refer to the electric motors and transmission capacity e) 5° backward with front panel and cabin NOTES: Unless otherwise specified, all data refer to vehicles with SE tyres. All performance figures refer to fully run-in vehicles, in perfect working status with homologated tyres mix, battery fully charged and excellent conditions with closed circuit voltage equal to nominal value. Truck performance and dimensions are nominal and subject to tolerances.



CESAB B415 - B420 Dimensional Drawings



The data in this specification sheet was determined based on our standard testing conditions. Operating performance may vary depending on the actual specification and condition of the truck as well as the condition of the operating area. Availability and specifications are determined regionally and are subject to change without notice. Please consult your authorised CESAB Dealership for further details.

Mast Specifications

Mast Specifications Duplex NFL (1,5-1,6t)

h ₃	Lift height	3170	3670	3970
h ₁	Height of mast, lowered	2160	2410	2560
h ₂	Free lift	80		
h ₄	Height of mast, extended	3720	4220	4520
α/β	Mast tilt forw./backw.	5° / 7°		

Mast Specifications Triplex FFL (1,5-1,6t)

h ₃	Lift height	4470	4670	4970
h ₁	Height of mast, lowered	2060	2160	2260
h ₂	Free lift	1480	1580	1680
h ₄	Height of mast, extended	5050	5250	5550
α/β	Mast tilt forw./backw.	5° / 7°		

Mast Specifications Duplex FFL (1,8-2,0t)

h ₃	Lift height	3170	3670	3970
h ₁	Height of mast, lowered	2160	2410	2560
h ₂	Free lift	1580	1830	1980
h ₄	Height of mast, extended	3750	4250	4550
α/β	Mast tilt forw./backw.	5° / 7°		

Mast Specifications Duplex FFL (1,5-1,6t)

h ₃	Lift height	3170	3670	3970
h ₁	Height of mast, lowered	2160	2410	2560
h ₂	Free lift	1580	1830	1980
h ₄	Height of mast, extended	3750	4250	4550
α/β	Mast tilt forw./backw.	5° / 7°		

Mast Specifications Duplex NFL (1,8-2,0t)

h ₃	Lift height	3170	3670	3970
h ₁	Height of mast, lowered	2160	2410	2560
h ₂	Free lift	80		
h ₄	Height of mast, extended	3720	4220	4520
α/β	Mast tilt forw./backw.	5° / 7°		

Mast Specifications Triplex FFL (1,8-2,0t)

h ₃	Lift height	4470	4670	4970
h ₁	Height of mast, lowered	2060	2160	2260
h ₂	Free lift	1480	1580	1680
h ₄	Height of mast, extended	5050	5250	5550
α/β	Mast tilt forw./backw.	5° / 7°		

The data in this specification sheet was determined based on our standard testing conditions. Operating performance may vary depending on the actual specification and condition of the truck as well as the condition of the operating area. Availability and specifications are determined regionally and are subject to change without notice. Please consult your authorised CESAB dealership for further details.
SPEC_B300/B400_EN_2012 / P&B B300/B400 V13 – Copyright CESAB Material Handling Europe.

