

# CESAB R200 1.2 - 1.6 tonne

Reach Trucks



Truck Specifications



## CESAB R212 - R216 Truck Specifications

CHARACTERISTICS						
1.1	Manufacturer		CESAB	CESAB	CESAB	
1.2	Model		R212	R214	R216	
1.3	Drive		Electric	Electric	Electric	
1.4	Operator type		Seated	Seated	Seated	
1.5	Load capacity/rated load	Q	[kg]	1200	1400	1600
1.6	Load centre	c	[mm]	600	600	600
1.8	Load distance, centre of support arm wheel to face of forks	x	[mm]	449	315	207
1.9	Wheelbase	y	[mm]	1434	1434	1434
WEIGHT						
2.1	Service weight including battery		[kg]	2849	2974	3509
2.3	Axle load, mast retracted without load, drive/support arm wheel		[kg]	1630/1219	1690/1284	2003/1506
2.4	Axle load, mast extended with load, drive/support arm wheel		[kg]	719/3330	444/3930	424/4685
2.5	Axle load, mast retracted with load, drive/support arm wheel		[kg]	1340/2709	1300/3074	1580/3529
WHEELS						
3.1	Drive/support arm wheel			Polyurethane	Polyurethane	Polyurethane
3.2	Wheel size, front		[mm]	Ø285	Ø285	Ø285
3.3	Wheel size, rear		[mm]	Ø310	Ø310	Ø310
3.5	Wheels, number front/rear (x=driven wheels)			1x/2	1x/2	1x/2
3.7	Track width, rear	b <sub>11</sub>	[mm]	968	968	968
DIMENSIONS						
4.1	Tilt of fork, forward/backward	$\alpha / \beta$	[deg]	2°/-0.5°	4°/-2° *	4°/-2°*
4.2	Height, mast lowered	h <sub>1</sub>	[mm]	1930*	2057*	2190*
4.3	Free lift	h <sub>2</sub>	[mm]	1457*	1416*	1549*
4.4	Lift	h <sub>3</sub>	[mm]	4150*	4400*	4800*
	Lift height	h <sub>23</sub>	[mm]	4110*	4360*	4760*
4.5	Height, mast extended	h <sub>4</sub>	[mm]	4654*	6040*	9140*
4.7	Height of overhead guard (cab)	h <sub>6</sub>	[mm]	2166	2166	2166
4.8	Seat height	h <sub>7</sub>	[mm]	1060	1060	1060
4.10	Height of support arms	h <sub>8</sub>	[mm]	262	262	262
4.15	Height of lowered forks	h <sub>13</sub>	[mm]	40	40	40
4.19	Overall length	l <sub>1</sub>	[mm]	1706	2010	2226
4.20	Length to face of forks	l <sub>2</sub>	[mm]	1182	1334	1442
4.21	Overall width	b <sub>1</sub>	[mm]	1120	1120	1120
4.22	Fork dimensions	s/e/l	[mm]	40/100/1150*	40/100/1150*	40/100/1150*
4.23	Fork carriage ISO 2328, class/type A, B			II A	II A	II A
4.25	Width over forks	b <sub>5</sub>	[mm]	250-600	250-600*	250-600
4.26	Distance between support arms	b <sub>4</sub>	[mm]	880	880	880
4.28	Reach distance	l <sub>4</sub>	[mm]	584	576	495
4.31	Ground clearance, with load, below mast <sup>1)</sup>	m <sub>1</sub>	[mm]	70	70	70
4.32	Ground clearance, centre of wheelbase <sup>1)</sup>	m <sub>2</sub>	[mm]	70	70	70
4.33	Aisle width for pallets 1000 x 1200 crossways	A <sub>st</sub>	[mm]	2669	2765	2849
4.34	Aisle width for pallets 800 x 1200 lengthways	A <sub>st</sub>	[mm]	2705	2826	2925
4.35	Turning radius	W <sub>a</sub>	[mm]	1654	1649	1649
4.37	Length across support arms	l <sub>7</sub>	[mm]	1808	1808	1808
PERFORMANCE						
5.1	Travel speed, drive direction with/without load		[km/h]	10.1/11.2	10.0/11.2	10.0/11.2
	Travel speed, fork direction with/without load		[km/h]	7.5/9	7.5/9	7.5/9
5.2	Lift speed, with/without load		[m/s]	0.29/0.42	0.27/0.42	0.25/0.42
5.3	Lowering speed, with/without load		[m/s]	0.47/0.47	0.50/0.44	0.50/0.44
5.4	Reach speed, with/without load		[m/s]	0.15/0.16	0.15/0.16	0.15/0.16
5.8	Max. gradeability, with/without load <sup>2)</sup>		[%]	15/10	10/15	10/15
5.10	Service brake			Electric	Electric	Electric
ELECTRIC MOTOR						
6.1	Drive motor rating S2 60 min		[kW]	7.5	7.5	7.5
6.2	Lift motor rating S3 15%		[kW]	7.4	7.4	7.4
6.4	Battery voltage, nominal capacity K5		[V/Ah]	48/310*	48/465*	48/620*
6.5	Battery weight, min.		[kg]	510*	610*	780*
6.6	Energy consumption acc to VDI cycle <sup>3)</sup>		[kWh/h]			
OTHER						
8.1	Type of drive control			Variable AC	Variable AC	Variable AC
8.4	Sound level at the driver's ear according to EN 12 053		[dB(A)]	<70	<70	<70

1) 15 mm under studs

2) Measured according to company standard

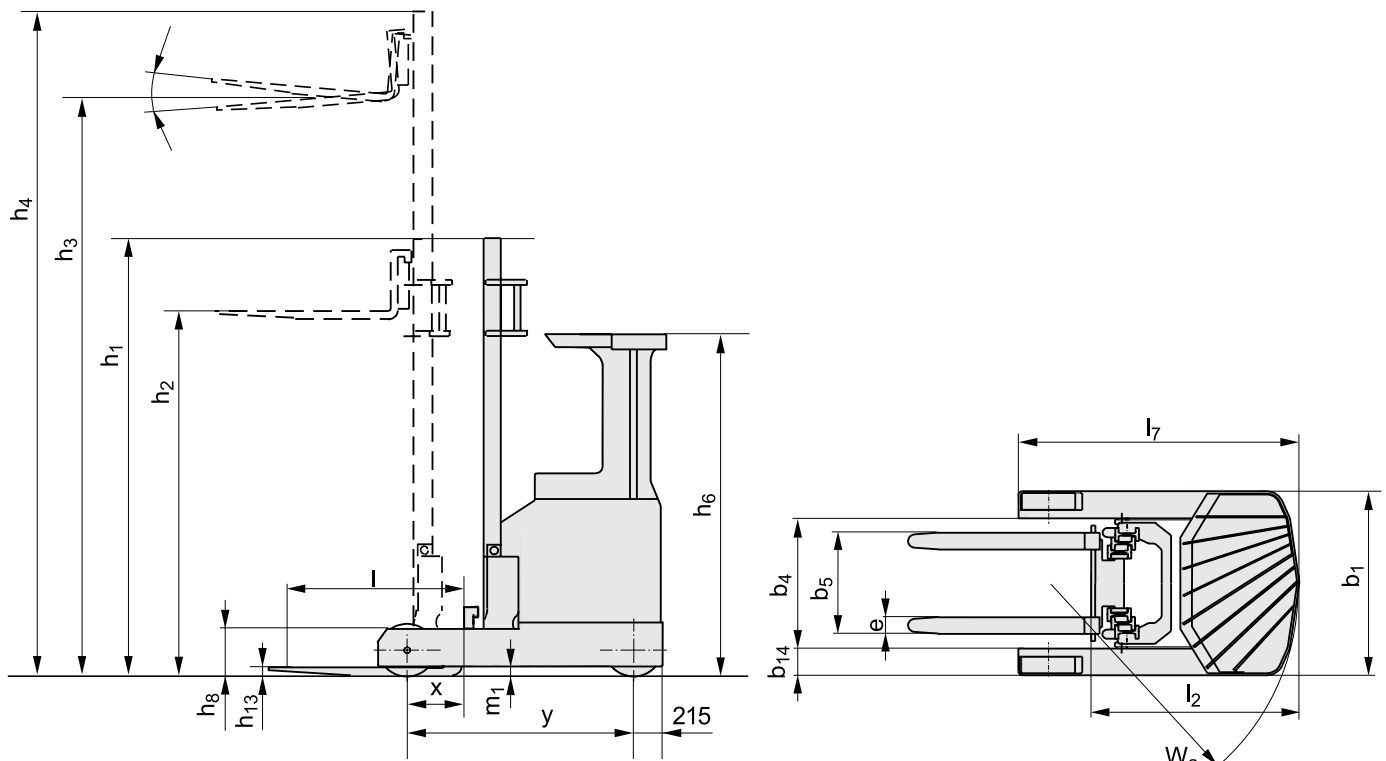
3) Contact your supplier for information

\*) Further alternatives are available and will produce other values

Note: All data are based on table configuration. R212: h23 = 4150 mm Triplex mast without sideshift and 275 mm battery compartment. R214: h23 = 5400 mm with sideshift and 340 mm battery compartment. R216: h23 = 8500 mm with sideshift and 430 mm battery compartment. Other configurations may give other values. Truck performance and dimensions are nominal and subject to tolerances. Products and specifications are subject to change without notice.



## CESAB R212 - R216 Dimensional Drawings



### Battery compartments

DIMENSIONS		R212			R214			R216		
Battery compartment depth	[mm]	275	340	430	275	340	430	275	340	430
1.8 Load distance, centre of support arm wheel to face of forks without sideshift	x [mm]	449	384	294	418	353	263	400	335	245
Load distance, centre of support arm wheel to face of forks with sideshift	x [mm]	394	329	239	380	315	225	362	297	207
4.19 Overall length without sideshift	$l_1$ [mm]	1706	1836	2016	1804	1934	2114	1840	1970	2150
Overall length with sideshift	$l_1$ [mm]	1816	1946	2126	1880	2010	2190	1916	2046	2226
4.20 Length to face of forks without sideshift	$l_2$ [mm]	1182	1247	1337	1231	1296	1386	1249	1314	1404
Length to face of forks with sideshift	$l_2$ [mm]	1237	1302	1392	1269	1334	1424	1287	1352	1442
4.33 Aisle width for pallets 1000x1200 crossways without sideshift	$A_{st}$ [mm]	2669	2714	2781	2690	2737	2805	2703	2750	2819
Aisle width for pallets 1000x1200 crossways with sideshift	$A_{st}$ [mm]	2707	2755	2824	2717	2765	2835	2730	2779	2849
4.34 Aisle width for pallets 800x1200 lengthways without sideshift	$A_{st}$ [mm]	2705	2763	2845	2733	2791	2873	2749	2808	2890
Aisle width for pallets 800x1200 lengthways with sideshift	$A_{st}$ [mm]	2754	2813	2895	2767	2826	2908	2783	2842	2925
4.35 Turning radius	$W_a$ [mm]	1654	1654	1654	1654	1654	1654	1654	1654	1654
6.4 Battery voltage, nominal capacity K5	[V/Ah]	48/310	48/465	48/620	48/310	48/465	48/620	48/310	48/465	48/620
6.5 Battery weight, min.	[kg]	510	610	780	510	610	780	510	610	780

### Mast Specifications

DIMENSIONS		Duplex Tele			Duplex Freelift			Triplex Freelift														
Lift height	$h_{23}$ [mm]	3350	3750	4150	3350	3750	4150	4150	4400	4500	4800	5400	5700	6000	6300	6750	7000	7500	8000	8500		
Lift	$h_3$ [mm]	3310	3710	4110	3310	3710	4110	4110	4360	4460	4760	5360	5660	5960	6260	6710	6960	7460	7960	8460		
R212	Height, mast lowered	$h_1$ [mm]	2194	2404	2604	2194	2404	2604	1930	—	2047	2147	2347	—	2647	—	—	—	—	—		
	Free lift	$h_2$ [mm]	—	—	—	1725	1925	2125	1457	—	1574	1674	1874	—	2174	—	—	—	—	—		
R214	Height, mast extended	$h_4$ [mm]	3849	4259	4659	3849	4259	4659	4654	—	5004	5304	5904	—	6504	—	—	—	—	—		
	Free lift	$h_2$ [mm]	—	—	—	—	—	—	—	—	1416	—	1549	1749	1849	—	2049	—	—	—		
R216	Height, mast extended	$h_4$ [mm]	—	—	—	—	—	—	—	—	5040	—	5440	6040	6340	—	6940	—	—	—		
	Free lift	$h_2$ [mm]	—	—	—	—	—	—	—	—	1416	—	1549	1749	1849	—	2091	2340	2423	2590	2757	2923
R216	Height, mast lowered	$h_1$ [mm]	—	—	—	—	—	—	—	—	2057	—	2190	2390	2490	—	2732	2981	3064	3231	3398	3564
	Free lift	$h_2$ [mm]	—	—	—	—	—	—	—	—	1416	—	1549	1749	1849	—	2091	2340	2423	2590	2757	2923
Height, mast extended	$h_4$ [mm]	—	—	—	—	—	—	—	—	—	5040	—	5440	6040	6340	—	6940	7390	7640	8140	8640	9140

Availability and specifications are determined regionally and are subject to change without notice. Please consult your authorised CESAB distributor for further details. P&B R200/S 1.06/11

Availability and specifications are determined regionally and are subject to change without notice.  
Please consult your authorized CESAB distributor for further details. P&B R200US1.06/11.

