



spec sheet

CESAB B300

1.5 - 2.0 tonne
2022 model

3-Wheel 48V
Electric counterbalanced trucks



ZERO
emissions

CESAB B315 - B320

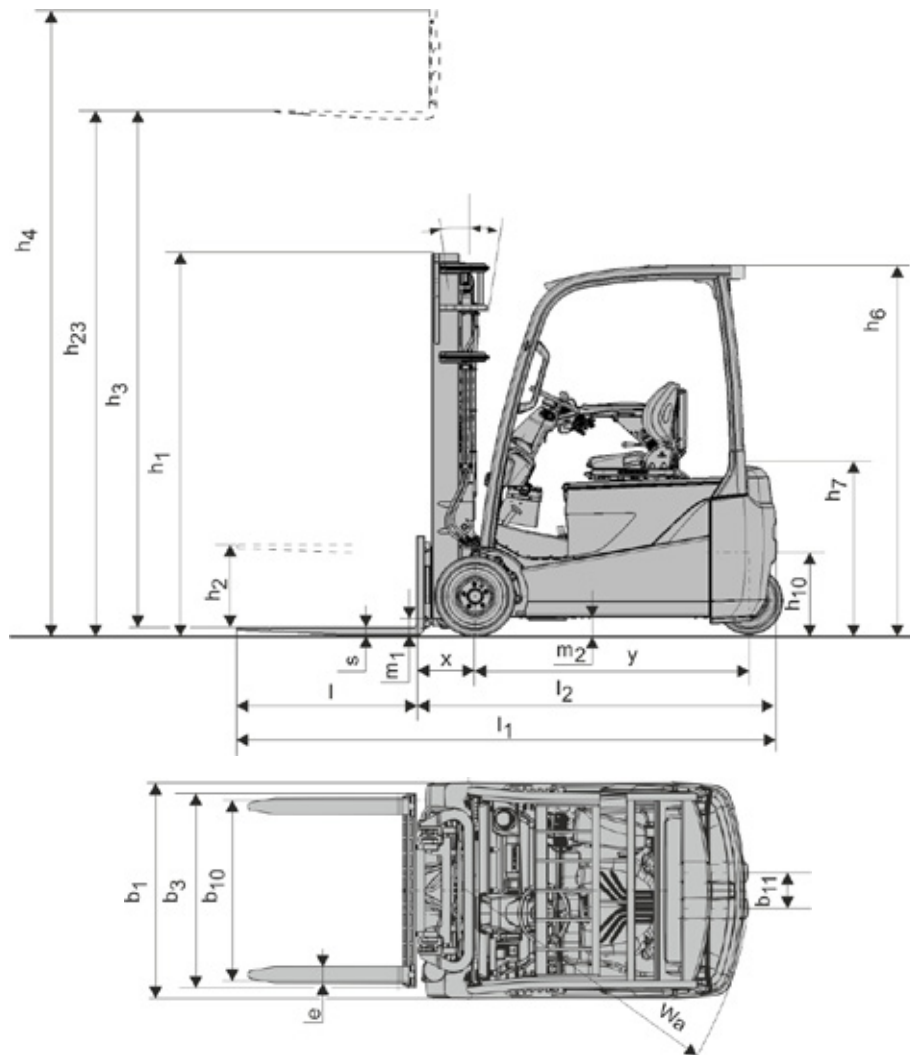
Truck Specifications

CHARACTERISTICS									
1.1	Manufacturer		CESAB	CESAB	CESAB	CESAB	CESAB		
1.2	Model designation		B315-II	B316-II	B316L-II	B318-II	B318L-II	B320-II	
1.3	Power unit		Electric	Electric	Electric	Electric	Electric	Electric	
1.4	Operation		Driver seated	Driver seated	Driver seated	Driver seated	Driver seated	Driver seated	
1.5	Load capacity	Q	[t]	1,5	1,6	1,6	1,8	1,8	2,0
1.6	Load centre distance	c	[mm]	500	500	500	500	500	500
1.8	Load distance, centre of drive axle to fork face	x	[mm]	317	317	317	317	317	317
1.9	Wheelbase	y	[mm]	1305	1413	1521	1413	1521	1521
WEIGHT									
2.1	Service weight (battery included)		[kg]	2976	3002	2981	3119	3135	3342
2.2	Axle load, with load, front/rear		[kg]	3953/523	4092/510	4097/484	4390/529	4391/544	4746/596
2.3	Axle load, without load, front/rear		[kg]	1451/1525	1508/1494	1584/1397	1497/1622	1571/1564	1619/1723
WHEELS AND TYRES									
3.1	Tyres: P=Pneumatic, SE=Superelastic, C=Cushion, G=Twin tyre			SE	SE	SE	SE	SE	SE
3.2	Tyre size front			18x7-8	18x7-8	18x7-8	18x7-8	18x7-8	200/50-10
3.3	Tyre size rear			15x4 ^{1/2} x8	15x4 ^{1/2} x8	15x4 ^{1/2} x8	140/55-9	140/55-9	140/55-9
3.5	Wheels, number front/rear (x = driven)			2x/2	2x/2	2x/2	2x/2	2x/2	2x/2
3.6	Track width front	b10	[mm]	905	905	905	905	905	925
3.7	Track width rear	b11	[mm]	180,6	180,6	180,6	186,2	186,2	186,2
DIMENSIONS									
4.1	Mast/fork tilt forward/backward	α/β	[°]	5/7	5/7	5/7	5/7	5/7	5/7
4.2	Height, mast lowered	h ₁	[mm]	2120	2120	2120	2120	2120	2120
4.3	Free lift	h ₂	[mm]	115	115	115	115	115	115
4.4	Lift	h ₃	[mm]	3300	3300	3300	3300	3300	3300
	Lift height	h ₂₃	[mm]	3335	3335	3335	3335	3335	3335
4.5	Height, mast extended	h ₄	[mm]	3870	3870	3870	3870	3870	3870
4.7	Height of overhead guard (cab)	h ₆	[mm]	2055	2055	2055	2055	2055	2055
4.8	Seat height	h ₇	[mm]	1051	1051	1051	1051	1051	1059
4.12	Coupling height	h ₁₀	[mm]	537	537	537	543	543	543
4.19	Overall length	l ₁	[mm]	2772	2880	2988	2880	2988	2988
4.20	Length to face of forks	l ₂	[mm]	1772	1880	1988	1880	1988	1988
4.21	Overall width	b ₁	[mm]	1060	1060	1060	1060	1060	1152
4.22	Fork dimensions	s/e/l	[mm]	35x100x1000	35x100x1000	35x100x1000	35x100x1000	35x100x1000	35x120x1000
4.23	Fork carriage DIN 15 173, class/type A, B			II-A	II-A	II-A	II-A	II-A	II-A
4.24	Fork carriage width	b ₃	[mm]	920	920	920	920	920	920
4.31	Ground clearance, with load, below mast	m ₁	[mm]	80	80	80	80	80	90
4.32	Ground clearance, centre of wheelbase	m ₂	[mm]	90	90	90	90	90	97
4.33	Aisle width, pallets 1000x1200 crossways	A _{st}	[mm]	3102	3210	3318	3210	3318	3318
4.34	Aisle width, pallets 800x1200 lengthways	A _{st}	[mm]	3223	3331	3440	3331	3440	3440
4.35	Turning radius	W _a	[mm]	1455	1563	1671	1563	1671	1671
4.36	Internal turning radius	b ₁₃	[mm]	-	-	-	-	-	-
PERFORMANCE									
5.1	Travel speed, with/without load		[km/h]	16,0/16,0	16,0/16,0	16,0/16,0	16,0/16,0	16,0/16,0	16,0/16,0
5.2	Lift speed, with/without load		[m/s]	0,44/0,61	0,43/0,61	0,43/0,61	0,42/0,61	0,42/0,61	0,38/0,54
5.3	Lowering speed, with/without load		[m/s]	0,55/0,53	0,55/0,53	0,55/0,53	0,55/0,53	0,55/0,53	0,52/0,50
5.5	Drawbar pull, with/without load		[N]	5068/5158	5041/5149	5044/5153	4979/5126	4986/5133	4839/5046
5.6	Max. drawbar pull, with/without load		[N]	9519/9424	9491/9415	9495/9419	9429/9392	9437/9399	9145/9188
5.7	Gradeability, with without load		[%]	16,9/22,0	16,3/23,4	16,3/25,3	15,0/22,1	15,1/24,1	13,2/24,4
5.8	Max. gradeability, with/without load		[%]	23,1/22,0	22,2/23,4	22,3/25,3	20,5/22,1	20,7/24,1	18,0/24,4
5.9	Acceleration time, with/without load		[s]	4,5/4,1	4,6/4,2	4,6/4,2	4,7/4,3	4,7/4,3	4,7/4,3
5.10	Service brake			hydraulic	hydraulic	hydraulic	hydraulic	hydraulic	hydraulic
ELECTRIC MOTORS									
6.1	Drive motor, rating S2 60 min.		[kW]	6,0x2	6,0x2	6,0x2	6,0x2	6,0x2	6,0x2
6.2	Lift motor, rating S3 15%		[kW]	11,7	11,7	11,7	11,7	11,7	11,7
6.3	Battery according to DIN 43 531/35/36, A, B, C, no			DIN 43531A	DIN 43531A	DIN 43531A	DIN 43531A	DIN 43531A	DIN 43531A
6.4	Battery voltage, nominal capacity K ₅		[V/Ah]	48/440	48/550	48/660	48/550	48/660	48/660
6.5	Battery weight		[kg]	708	856	1013	856	1013	1013
6.6	Energy consumption acc. to EN16796:2016		[kWh/h]	3,5	3,9	3,9	4,3	4,3	4,5
OTHERS									
8.1	Type of drive control			inverter MOSFET	inverter MOSFET	inverter MOSFET	inverter MOSFET	inverter MOSFET	inverter MOSFET
8.2	Operating pressure for attachments		[bar]	183	183	183	183	183	183
8.3	Oil flow for attachments		[l/min]	41,3	41,3	41,3	41,3	41,3	41,3
8.4	Sound level at driver's ear acc. To EN 12 053		[dB(A)]	69,7	69,7	69,7	69,7	69,7	69,7

Note: unless otherwise specified, all data refer to vehicles with SE tyres. All performance figures refer to fully run-in vehicles, in perfect working status with homologated tyres mix. Truck performance and dimensions are nominal and subject to tolerances.

CESAB B315 - B320

Dimensional Drawings



The data in this specification sheet was determined based on our standard testing conditions. Operating performance may vary depending on the actual specification and condition of the truck as well as the condition of the operating area. Availability and specifications are determined regionally and are subject to change without notice. Please consult your authorised CESAB dealership for further details.

Mast Specifications

	Duplex NFL (IMD)	Duplex FFL (Std.) ¹⁾	Duplex FFL (IMD)	Triplex FFL (Std.) ¹⁾	Triplex FFL (IMD)
B315 - B316 - B316L - B320	h_{23} Lift height	3035 3335 3535 3735 4035 4535 5035	3035 3335 3535 3735	3035 3335 3535 3735	4335 4535 4735 5035 5535 6035
	h_3 Lift	3000 3300 3500 3700 4000 4500 5000	3000 3300 3500 3700	3000 3300 3500 3700	4300 4500 4700 5000 5500 6000
	h_1 Height, mast lowered	1970 2120 2220 2380 2570 2820 3070	1970 2120 2220 2380	2000 2150 2250 2350	1970 2040 2120 2220 2380 2570
	h_4 Height, mast extended ¹⁾	3570 3870 4070 4270 4570 5070 5570	3580 3880 4080 4280	3555 3855 4055 4255	4845 5045 5245 5545 6045 6545
	Height, mast extended ²⁾	4260 4560 4760 4960 5260 5760 6260	4260 4560 4760 4960	4260 4560 4760 4960	5560 5760 5960 6260 6760 7260
	h_2 Free lift ¹⁾	80 80 80 80 80 80 80	1430 1580 1680 1840	1440 1590 1690 1790	1460 1530 1610 1710 1870 2060
	Free lift ²⁾	80 80 80 80 80 80 80	745 895 995 1155	735 885 985 1085	745 815 895 995 1155 1345
	Tilt, forward/backward	5/7(5)**	5/7(5)**	5/7(5)**	5/7(5)**
B318 - B318L - B320	h_{23} Lift height	3035 3335 3535 3735 4035 4535 5035	3035 3335 3535 3735	3035 3335 3535 3735	4335 4535 4735 5035 5535 6035
	h_3 Lift	3000 3300 3500 3700 4000 4500 5000	3000 3300 3500 3700	3000 3300 3500 3700	4300 4500 4700 5000 5500 6000
	h_1 Height, mast lowered	1970 2120 2220 2380 2570 2820 3070	1970 2120 2220 2380	2000 2150 2250 2350	1970 2040 2120 2220 2380 2570
	h_4 Height, mast extended ¹⁾	3570 3870 4070 4270 4570 5070 5570	3580 3880 4080 4280	3555 3855 4055 4255	4845 5045 5245 5545 6045 6545
	Height, mast extended ²⁾	4260 4560 4760 4960 5260 5760 6260	4260 4560 4760 4960	4260 4560 4760 4960	5560 5760 5960 6260 6760 7260
	h_2 Free lift ¹⁾	80 80 80 80 80 80 80	1430 1580 1680 1840	1440 1590 1690 1790	1460 1530 1610 1710 1870 2060
	Free lift ²⁾	80 80 80 80 80 80 80	745 895 995 1155	735 885 985 1085	745 815 895 995 1155 1345
	Tilt, forward/backward	5/7(5)**	5/7(5)**	5/7(5)**	5/7(5)**

¹⁾ Standard masts with central free lift cylinder
²⁾ Data in () are for trucks with cabin or front windshield
 1) without load backrest
 2) with std. load backrest 1220 mm



Your authorised CESAB dealer



Pictures may show optional equipment and accessories not included in the standard execution of the truck.

The data in this specification sheet was determined based on our standard testing conditions. Operating performance may vary depending on the actual specification and condition of the truck as well as the condition of the operating area.

Availability and specifications are determined regionally and are subject to change without notice. Please consult your authorised CESAB dealership for further details.
SPEC_B300_EN_202202 / Ucan V04 – Copyright CESAB Material Handling Europe.

