

CESAB P300 2.0 - 2.4 tonne

Powered Pallet Trucks



Truck Specifications



CESAB P320 Truck Specifications

CHARACTERISTICS				6km/h	High performance
1.1	Manufacturer			CESAB	CESAB
1.2	Model			P320	P320
1.3	Drive			Electric	Electric
1.4	Operator type			Pedestrian	Pedestrian
1.5	Load capacity/rated load	Q	[kg]	2000	2000
1.6	Load centre	c	[mm]	600	600
1.8	Load distance, centre of support arm wheel to face of forks	x	[mm]	892	892
1.9	Wheelbase	y	[mm]	1345	1345
WEIGHT					
2.1	Service weight excluding battery		[kg]	405	420
2.2	Axle load, with load, drive/castor/fork wheel		[kg]	550/410/1640	550/430/1640
2.3	Axle load, without load, drive/castor/fork wheel		[kg]	350/120/130	350/140/130
WHEELS					
3.1	Drive/castor/fork wheel			Vulkollan/PU/Vulkollan	
3.2	Wheel size, front		[mm]	Ø 215x70	Ø 215x70
3.3	Wheel size, rear		[mm]	Ø 85	Ø 85
3.4	Additional wheels (dimensions)		[mm]	Ø 125x40	Ø 125x40
3.5	Wheels, number front/rear (x=driven wheels)			2-1x/4	2-1x/4
3.6	Track width, front	b ₁₀	[mm]	474	474
3.7	Track width, rear	b ₁₁	[mm]	370	370
DIMENSIONS					
4.4	Lift	h ₃	[mm]	120	120
	Lift height	h ₂₃	[mm]	205	205
4.8	Stand height	h ₇	[mm]	150	150
4.9	Height of tiller in drive position, min./max.	h ₁₄	[mm]	1035/1370	1035/1370
4.15	Height, fork lowered	h ₁₃	[mm]	85	85
4.19	Overall length	l ₁	[mm]	1859	1859
4.20	Length to face of forks	l ₂	[mm]	709	709
4.21	Overall width	b ₁	[mm]	726	726
4.22	Fork dimensions	s/e/l	[mm]	78/180/1150	78/180/1150
4.25	Width over forks	b ₅	[mm]	550	550
4.32	Ground clearance, centre of wheelbase	m ₂	[mm]	32	32
4.33	Aisle width for pallets 1000x1200 crossways	A _{st}	[mm]	1813	1813
4.34	Aisle width for pallets 800x1200 lengthways	A _{st}	[mm]	2013	2013
4.35	Turning radius	W _s	[mm]	1569	1569
PERFORMANCE DATA					
5.1	Travel speed, with/without load		[km/h]	6,0/6,0	7,5/8,5
5.2	Lift speed, with/without load		[m/s]	0,05/0,07	0,05/0,07
5.3	Lowering speed, with/without load		[m/s]	0,08/0,09	0,08/0,09
5.8	Max. gradeability, with/without load		[%]	8/18 ¹⁾	8/18 ¹⁾
5.10	Service brake			electric	electric
ELECTRIC MOTOR					
6.1	Drive motor rating S2 60 min		[kW]	1,2	1,7
6.2	Lift motor rating at S3 10%		[kW]	2,2	2,2
6.4	Battery voltage/nominal capacity K _s		[V/Ah]	24/260	24/260
6.5	Battery weight		[kg]	225	225
OTHERS					
8.1	Type of drive control			CESAB Drive Control	CESAB Drive Control
8.4	Sound level at the driver's ear acc to EN12 053		[dB(A)]	64	61

¹⁾) Measured according to company standard

^{*}) Further alternatives are available and will produce other values.

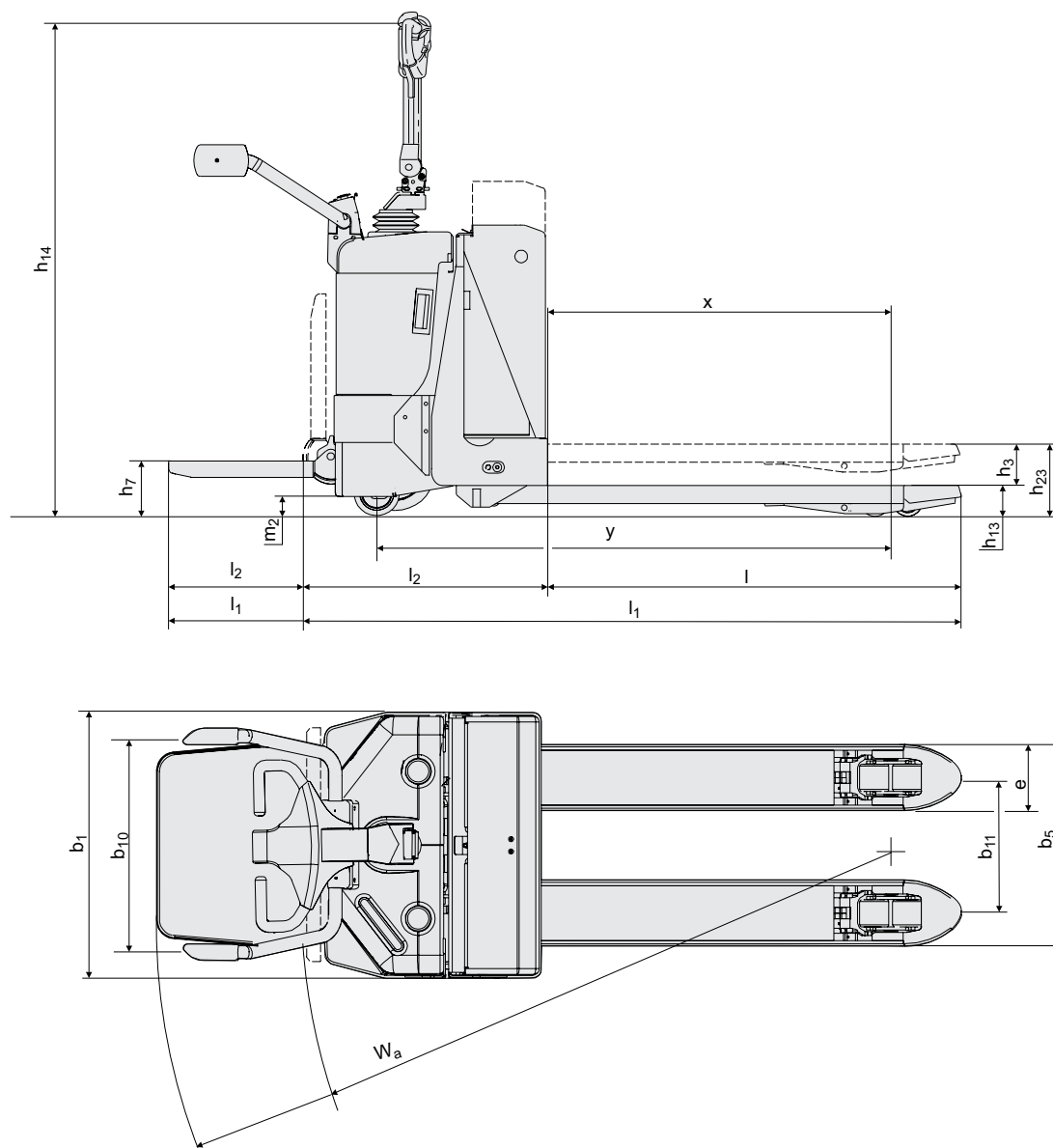
All data are based on table configuration.

Truck performance and dimensions are nominal and subject to tolerances.

Specifications are subject to change without notice.



CESAB P320 Dimensional Drawings



Availability and specifications are determined regionally and are subject to change without notice. Please consult your authorised CESAB distributor for further details. P&B-P320/S 10.JUNE.11.

Battery compartments

DIMENSIONS				LIFT OUT		SIDEWAYS	
Battery change				MEDIUM	LARGE	MEDIUM	LARGE
Battery compartment size							
1.9	Wheelbase	y	[mm]	1313	1361	1345	1395
4.20	Length to face of forks with platform up/down	l_2	[mm]	677/1051	725/1099	709/1083	759/1133
4.21	Overall width	b_1	[mm]	726	726	755	755
4.33	Aisle width for pallets 1000x1200 crossways with platform up/down	A_{st}	[mm]	2027/2411	2075/2449	2123/2497	2173/2547
4.34	Aisle width for pallets 800x1200 lengthways with platform up/down	A_{st}	[mm]	2077/2461	2125/2499	2173/2547	2223/2597
4.35	Turning radius with platform up/down	W_a	[mm]	1569/1943	1617/1991	1665/2039	1715/2089
6.4	Battery voltage, nominal capacity K_s		[V/Ah]	24/225	24/ 260-300	24/225	24/ 260-300
6.5	Battery weight, min.—max.		[kg]	150/210	200/250	150/210	220/250

CESAB P324 Truck Specifications

CHARACTERISTICS			
1.1	Manufacturer		CESAB
1.2	Model		P324
1.3	Drive		Electric
1.4	Operator type		Pedestrian
1.5	Load capacity/rated load	Q	[kg] 2400
1.6	Load centre	c	[mm] 600
1.8	Load distance, centre of support arm wheel to face of forks	x	[mm] 909
1.9	Wheelbase	y	[mm] 1605
WEIGHT			
2.1	Service weight excluding battery		[kg] 730
2.2	Axle load, with load, drive/castor/fork wheel		[kg] 835/590/2150
2.3	Axle load, without load, drive/castor/fork wheel		[kg] 510/300/210
WHEELS			
3.1	Drive/castor/fork wheel		Vulkollan/PU/Vulkollan
3.2	Wheel size, front		[mm] Ø 250
3.3	Wheel size, rear		[mm] Ø 85x75*
3.4	Additional wheels (dimensions)		[mm] Ø 150x50
3.5	Wheels, number front/rear (x=driven wheels)		2-1x/4
3.6	Track width, front	b ₁₀	[mm] 547
3.7	Track width, rear	b ₁₁	[mm] 370
DIMENSIONS			
4.4	Lift	h ₃	[mm] 125*
	Lift height	h ₂₃	[mm] 210*
4.8	Stand height	h ₇	[mm] 184*
4.9	Height of tiller in drive position, min./max.	h ₁₄	[mm] 1085/1450
4.15	Height, fork lowered	h ₁₃	[mm] 85
4.19	Overall length	l ₁	[mm] 1895
4.20	Length to face of forks	l ₂	[mm] 831
4.21	Overall width	b ₁	[mm] 790
4.22	Fork dimensions	s/e/l	[mm] 78/180/1150*
4.25	Width over forks	b ₅	[mm] 550*
4.32	Ground clearance, centre of wheelbase	m ₂	[mm] 55
4.33	Aisle width for pallets 1000x1200 crossways	A _{st}	[mm] 2016
4.34	Aisle width for pallets 800x1200 lengthways	A _{st}	[mm] 2216
4.35	Turning radius	W ₅	[mm] 1725
PERFORMANCE DATA			
5.1	Travel speed, with/without load		[km/h] 8,0/12
5.2	Lift speed, with/without load		[m/s] 0,04/0,06
5.3	Lowering speed, with/without load		[m/s] 0,04/0,04
5.8	Max. gradeability, with/without load		[%] 8/15 ¹⁾
5.10	Service brake		electric
ELECTRIC MOTOR			
6.1	Drive motor rating S2 60 min		[kW] 2,5
6.2	Lift motor rating at S3 10%		[kW] 2,2
6.4	Battery voltage/nominal capacity K ₅		[V/Ah] 24/465*
6.5	Battery weight		[kg] 380
OTHERS			
8.1	Type of drive control		CESAB Drive Control
8.4	Sound level at the driver's ear acc to EN12 053		[dB(A)] 58

¹⁾) Measured according to company standard

*) Further alternatives are available and will produce other values.

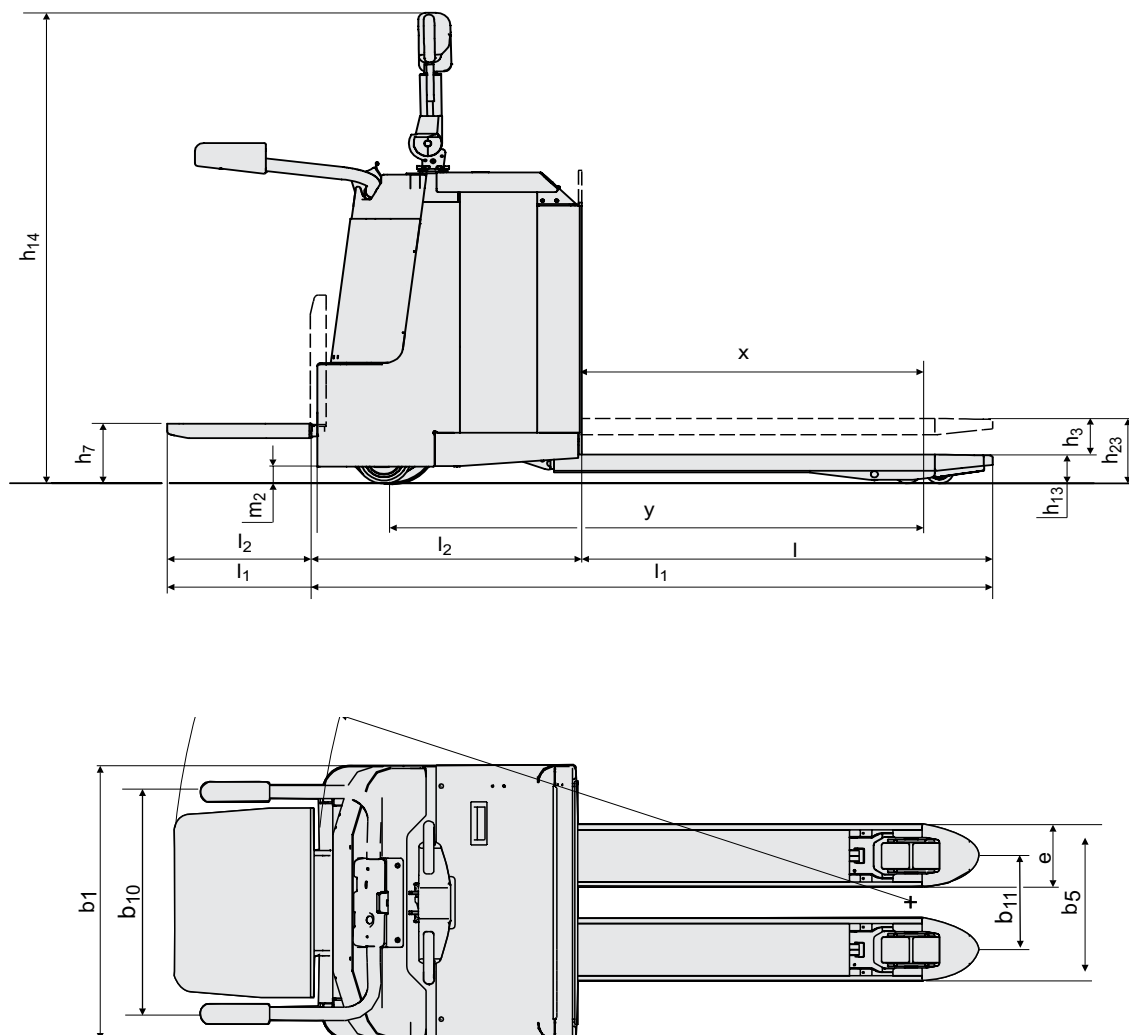
All data are based on table configuration.

Truck performance and dimensions are nominal and subject to tolerances.

Specifications are subject to change without notice.



CESAB P324 Dimensional Drawings



Availability and specifications are determined regionally and are subject to change without notice. Please consult your authorised CESAB distributor for further details. P&B P320/S1.0/JUNE11

Battery compartments

DIMENSIONS				MEDIUM	LARGE
Battery compartment size				MEDIUM	LARGE
1.9	Wheelbase	y	[mm]	1605	1691
4.19	Overall length with platform up/down	l_1	[mm]	1895/2317	1981/2403
4.20	Length to face of forks with platform up/down	l_2	[mm]	745/1167	831/1253
4.33	Aisle width for pallets 1000x1200 crossways with platform up/down	A_{st}	[mm]	2166/2588	2252/2674
4.34	Aisle width for pallets 800x1200 lengthways with platform up/down	A_{st}	[mm]	2216/2638	2302/2724
4.35	Turning radius with platform up/down	W_a	[mm]	1725/2147	1811/2233
6.4	Battery voltage, nominal capacity K_s		[V/Ah]	24/310-465	24/375-620
6.5	Battery weight, min.—max.		[kg]	250-380	280-500

Availability and specifications are determined regionally and are subject to change without notice.
Please consult your authorized CESAB distributor for further details. P&B P320/S1 0.JUNE 11.

