

# CESAB B600 2.0 - 5.0 tonne

80V Electric Powered Forklifts



Truck Specifications



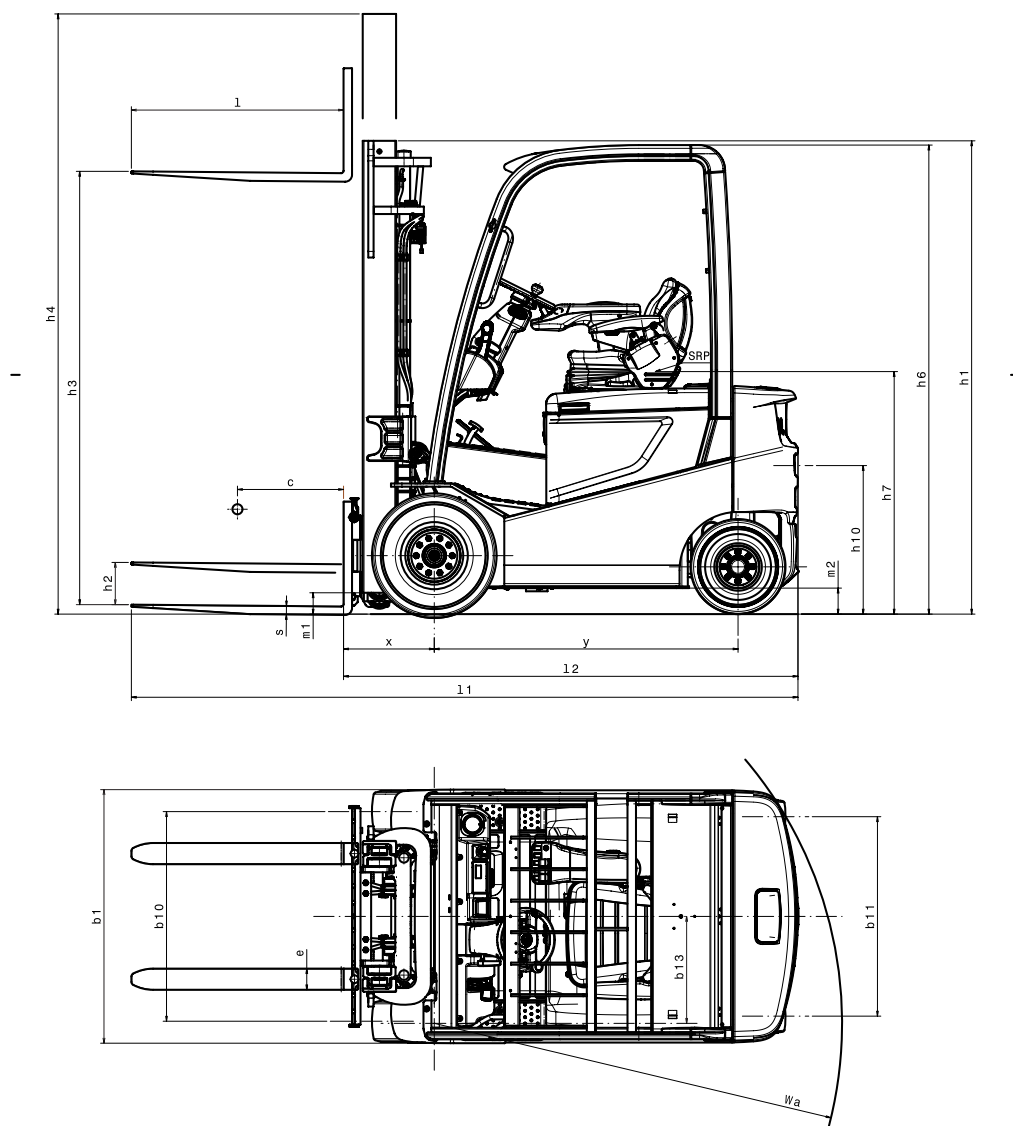
## CESAB B620 Truck Specifications

CHARACTERISTICS			
1.1	Manufacturer		CESAB
1.2	Model designation		<b>B620</b>
1.3	Power unit: electric (battery), diesel, petrol, LPG		Electric
1.4	Operation: manual, pedestrian, stand-on, driver seated		Driver seated
1.5	Load capacity	Q [t]	2,0
1.6	Load centre	c [mm]	500
1.8	Axle centre to fork face	x [mm]	427,5
1.9	Wheel-base	y [mm]	1431
WEIGHTS			
2.1	Weight	kg	4198
2.2	Axle load with load, front/rear	kg	5358 / 841
2.3	Axle load without load, front/rear	kg	2072 / 2126
WHEELS AND CHASSIS			
3.1	Tyres: C=Cushion, SE=Superelastic, PN=Pneumatic, TW=Twin		SE
3.2	Tyre size, front		23x9-10
3.3	Tyre size, rear		18x7-8
3.5	Wheels, number front/rear (x = driven)		2x / 2
3.6	Track width, front	b <sub>10</sub> [mm]	986
3.7	Track width, rear	b <sub>11</sub> [mm]	940
DIMENSIONS			
4.1	Mast tilt, forward/backward	$\alpha / \beta$ [°]	5° / 8°
4.2	Height of mast, lowered	h <sub>1</sub> [mm]	2235
4.3	Free lift	h <sub>2</sub> [mm]	80
4.4	Lift height	h <sub>3</sub> [mm]	3300
4.5	Height of mast, extended	h <sub>4</sub> [mm]	3999
4.7	Height of overhead guard	h <sub>6</sub> [mm]	2215
4.8	Height of driver's seat	h <sub>7</sub> [mm]	1143
4.12	Towing coupling height	h <sub>10</sub> [mm]	700
4.19	Overall length	l <sub>1</sub> [mm]	3345
4.20	Length to fork face	l <sub>2</sub> [mm]	2145
4.21	Overall width	b <sub>1</sub> , b <sub>2</sub> [mm]	1195
4.22	Fork dimensions	s/e/l [mm]	40x100x1200
4.23	Fork carriage to DIN 15173, class/form A, B		IIA
4.24	Width of fork carriage	b <sub>3</sub> [mm]	1070
4.31	Floor clearance, mast (with load)	m <sub>1</sub> [mm]	105
4.32	Floor clearance, centre of wheel-base (with load)	m <sub>2</sub> [mm]	127
4.33	Aisle width with pallets 1000 x 1200 across forks	Ast [mm]	3553
4.34	Aisle width with pallets 800 x 1200 along forks	Ast [mm]	3750
4.35	Turning radius	Wa [mm]	1922
4.36	Minimum distance between the centres of rotation	b <sub>13</sub> [mm]	504
PERFORMANCES			
5.1	Travel speed, with/without load	km/h	18 / 19
5.2	Lifting speed, with/without load	m/s	0,47 / 0,60
5.3	Lowering speed, with/without load	m/s	0,56 / 0,45
5.5	Tractive force, with/without load	N	8900
5.6	Maximum tractive force, with/without load, S2 5 minute rating	N	19000
5.7	Climbing ability, with/without load, S2 30 minute rating	%	19 / 29
5.8	Maximum climbing ability, with/without load, S2 5 minute rating	%	27 / 29
5.9	Acceleration time, with/without load	s	4,8 / 4,6
5.10	Service brake: mechanical/hydraulic/electric/pneumatic		Mechanical / Hydraulic
ELECTRIC MOTOR			
6.1	Drive motor, S2 60 minute rating	kW	20
6.2	Lift motor, S3 15% rating	kW	25,5
6.3	Battery according DIN 43531/35/36 A, B, C, NO		DIN 43536
6.4	Battery voltage/rated capacity (5 h)	V/Ah	80 / 420
6.5	Battery weight	kg	1238
6.6	Energy consumption in acc. with VDI cycle	kWh/h	-
OTHERS			
8.1	Type of drive control		AC
8.2	Working pressure for attachments bar	bar	160
8.3	Oil flow for attachments	l/min	40
8.4	Noise level at the driver's ear	dB (A)	68,8
8.5	Towing coupling, design/type DIN		-

a) With battery, b) With fork carriage. NOTES: Unless otherwise specified, all data refer to vehicles with SE tyres. All performance figures refer to fully run-in vehicles, in perfect working status with homologated tyres mix, battery fully charged and excellent conditions with closed circuit voltage equal to nominal value. Truck performance and dimensions are nominal and subject to tolerances.



## CESAB B620 Dimensional Drawings



The data in this specification sheet was determined on our standard testing conditions. Operating performance may vary depending on the actual specification and condition of the truck, as well as the condition of the operating area. Availability and specifications are determined regionally and are subject to change without notice. Please consult your authorised CESAB dealership for further details.

## Mast Specifications

Duplex NFL (2.0t)				
$h_3$	Lift height	3300	3700	4500
$h_1$	Height of mast, lowered	2235	2585	3085
$h_2$	Free lift	80	80	80
$h_4$	Height of mast, extended	3990	4390	5190
$\alpha/\beta$	Mast tilt forw./backw.	5°/8°	5°/8°	5°/6°

Duplex FFL (2.0t)				
$h_3$	Lift height	3300	3700	4000
$h_1$	Height of mast, lowered	2255	2505	2655
$h_2$	Free lift	1660	1840	2050
$h_4$	Height of mast, extended	3895	4365	4605
$\alpha/\beta$	Mast tilt forw./backw.	5°/8°	5°/8°	5°/8°

Triplex FFL (2.0t)				
$h_3$	Lift height	4700	5000	5500
$h_1$	Height of mast, lowered	2205	2305	2505
$h_2$	Free lift	1600	1700	1900
$h_4$	Height of mast, extended	5305	5605	6105
$\alpha/\beta$	Mast tilt forw./backw.	5°/6°	5°/6°	5°/6°

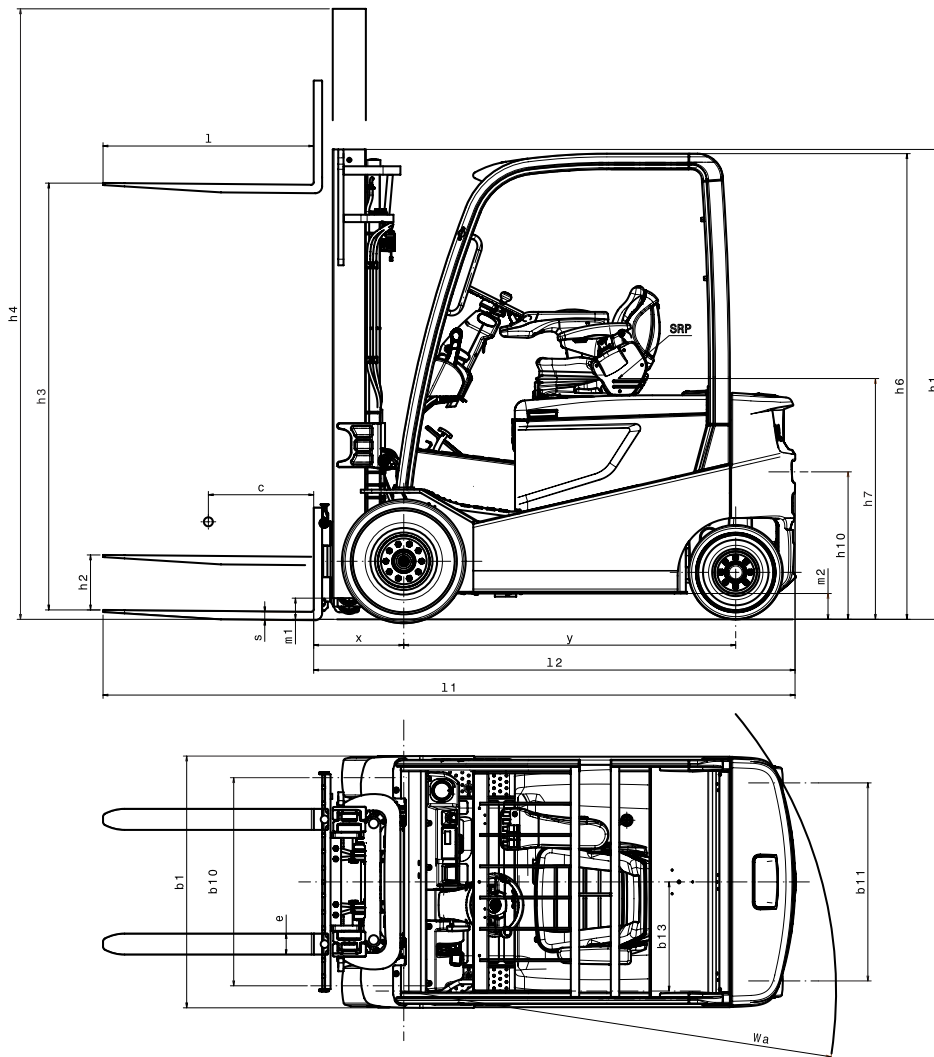
## CESAB B625 - B630 Truck Specifications

CHARACTERISTICS					
1.1	Manufacturer		CESAB	CESAB	
1.2	Model designation		<b>B625</b>	<b>B630</b>	
1.3	Power unit: electric (battery), diesel, petrol, LPG		Electric	Electric	
1.4	Operation: manual, pedestrian, stand-on, driver seated		Driver seated	Driver seated	
1.5	Load capacity	Q [t]	2,5	3,0	
1.6	Load centre	c [mm]	500	500	
1.8	Axle centre to fork face	x [mm]	427,5	429,5	b
1.9	Wheel-base	y [mm]	1575	1575	
WEIGHTS					
2.1	Weight	kg	4553	5199	a
2.2	Axle load with load, front/rear	kg	6201 / 852	7236 / 964	
2.3	Axle load without load, front/rear	kg	2241 / 2312	2443 / 2756	
WHEELS AND CHASSIS					
3.1	Tyres: C=Cushion, SE=Superelastic, PN=Pneumatic, TW=Twin		SE	SE	
3.2	Tyre size, front		23x9-10	23x10-12	
3.3	Tyre size, rear		18x7-8	18x7-8	
3.5	Wheels, number front/rear (x = driven)		2x / 2	2x / 2	
3.6	Track width, front	b10 [mm]	986	946	
3.7	Track width, rear	b11 [mm]	940	940	
DIMENSIONS					
4.1	Mast tilt, forward/backward	$\alpha / \beta$ [°]	5° / 8°	5° / 8°	
4.2	Height of mast, lowered	$h_1$ [mm]	2235	2365	
4.3	Free lift	$h_2$ [mm]	80	80	
4.4	Lift height	$h_3$ [mm]	3300	3300	
4.5	Height of mast, extended	$h_4$ [mm]	3999	3975	
4.7	Height of overhead guard	$h_6$ [mm]	2215	2215	
4.8	Height of driver's seat	$h_7$ [mm]	1143	1143	
4.12	Towing coupling height	$h_{10}$ [mm]	700	700	
4.19	Overall length	$l_1$ [mm]	3489	3523	
4.20	Length to fork face	$l_2$ [mm]	2289	2323	
4.21	Overall width	$b_1, b_2$ [mm]	1195	1195	
4.22	Fork dimensions	s/e/l [mm]	40x100x1200	45x100x1200	
4.23	Fork carriage to DIN 15173, class/form A, B		IIA	IIIA	
4.24	Width of fork carriage	$b_3$ [mm]	1070	1070	
4.31	Floor clearance, mast (with load)	$m_1$ [mm]	105	105	
4.32	Floor clearance, centre of wheel-base (with load)	$m_2$ [mm]	127	127	
4.33	Aisle width with pallets 1000 x 1200 across forks	Ast [mm]	3682	3713	
4.34	Aisle width with pallets 800 x 1200 along forks	Ast [mm]	3879	3911	
4.35	Turning radius	Wa [mm]	2052	2081	
4.36	Minimum distance between the centres of rotation	$b_{13}$ [mm]	518	518	
PERFORMANCES					
5.1	Travel speed, with/without load	km/h	18 / 19	18 / 19	
5.2	Lifting speed, with/without load	m/s	0,43 / 0,60	0,37 / 0,52	
5.3	Lowering speed, with/without load	m/s	0,56 / 0,48	0,56 / 0,45	
5.5	Tractive force, with/without load	N	8900	8900	
5.6	Maximum tractive force, with/without load, S2 5 minute rating	N	19000	19000	
5.7	Climbing ability, with/without load, S2 30 minute rating	%	16 / 28	13 / 23	
5.8	Maximum climbing ability, with/without load, S2 5 minute rating	%	25 / 29	21 / 29	
5.9	Acceleration time, with/without load	s	4,9 / 4,6	5,1 / 4,6	
5.10	Service brake: mechanical/hydraulic/electric/pneumatic		Mechanical / Hydraulic	Mechanical / Hydraulic	
ELECTRIC MOTOR					
6.1	Drive motor, S2 60 minute rating	kW	20	20	
6.2	Lift motor, S3 15% rating	kW	25,5	25,5	
6.3	Battery according DIN 43531/35/36 A, B, C, NO		DIN 43536	DIN 43536	
6.4	Battery voltage/rated capacity (5 h)	V/Ah	80 / 560	80 / 560	
6.5	Battery weight	kg	1558	1558	
6.6	Energy consumption in acc. with VDI cycle	kWh/h	-	-	
OTHERS					
8.1	Type of drive control		AC	AC	
8.2	Working pressure for attachments bar	bar	160	160	
8.3	Oil flow for attachments	l/min	40	40	
8.4	Noise level at the driver's ear	dB (A)	68,8	68,8	
8.5	Towing coupling, design/type DIN		-	-	

a) With battery, b) With fork carriage. NOTES: Unless otherwise specified, all data refer to vehicles with SE tyres. All performance figures refer to fully run-in vehicles, in perfect working status with homologated tyres mix, battery fully charged and excellent conditions with closed circuit voltage equal to nominal value. Truck performance and dimensions are nominal and subject to tolerances.



## CESAB B625 - B630 Dimensional Drawings



The data in this specification sheet was determined on our standard testing conditions. Operating performance may vary depending on the actual specification and condition of the truck, as well as the condition of the operating area. Availability and specifications are determined regionally and are subject to change without notice. Please consult your authorized CESAB dealer for further details.

## Mast Specifications

Duplex NFL (2.5t)				
h <sub>3</sub>	Lift height	3300	3700	4500
h <sub>1</sub>	Height of mast, lowered	2235	2585	3085
h <sub>2</sub>	Free lift	80	80	80
h <sub>4</sub>	Height of mast, extended	3990	4390	5190
α/β	Mast tilt forw./backw.	5°/8°	5°/8°	5°/6°

Duplex FFL (2.5t)				
h <sub>3</sub>	Lift height	3300	3700	4000
h <sub>1</sub>	Height of mast, lowered	2255	2505	2655
h <sub>2</sub>	Free lift	1660	1840	2050
h <sub>4</sub>	Height of mast, extended	3895	4365	4605
α/β	Mast tilt forw./backw.	5°/8°	5°/8°	5°/8°

Triplex FFL (2.5t)				
h <sub>3</sub>	Lift height	4700	5000	5500
h <sub>1</sub>	Height of mast, lowered	2205	2305	2505
h <sub>2</sub>	Free lift	1600	1700	1900
h <sub>4</sub>	Height of mast, extended	5305	5605	6105
α/β	Mast tilt forw./backw.	5°/6°	5°/6°	5°/6°

Duplex NFL (3.0t)				
h <sub>3</sub>	Lift height	3300	3700	4500
h <sub>1</sub>	Height of mast, lowered	2365	2555	3055
h <sub>2</sub>	Free lift	80	80	80
h <sub>4</sub>	Height of mast, extended	3975	4365	5265
α/β	Mast tilt forw./backw.	5°/8°	5°/8°	5°/6°

Duplex FFL (3.0t)				
h <sub>3</sub>	Lift height	3300	3700	4000
h <sub>1</sub>	Height of mast, lowered	2355	2555	2755
h <sub>2</sub>	Free lift	1700	1900	2040
h <sub>4</sub>	Height of mast, extended	3955	4355	4615
α/β	Mast tilt forw./backw.	5°/8°	5°/8°	5°/8°

Triplex FFL (3.0t)				
h <sub>3</sub>	Lift height	4700	5000	5500
h <sub>1</sub>	Height of mast, lowered	2305	2405	2605
h <sub>2</sub>	Free lift	1650	1750	1950
h <sub>4</sub>	Height of mast, extended	5355	5655	6155
α/β	Mast tilt forw./backw.	5°/6°	5°/6°	5°/6°



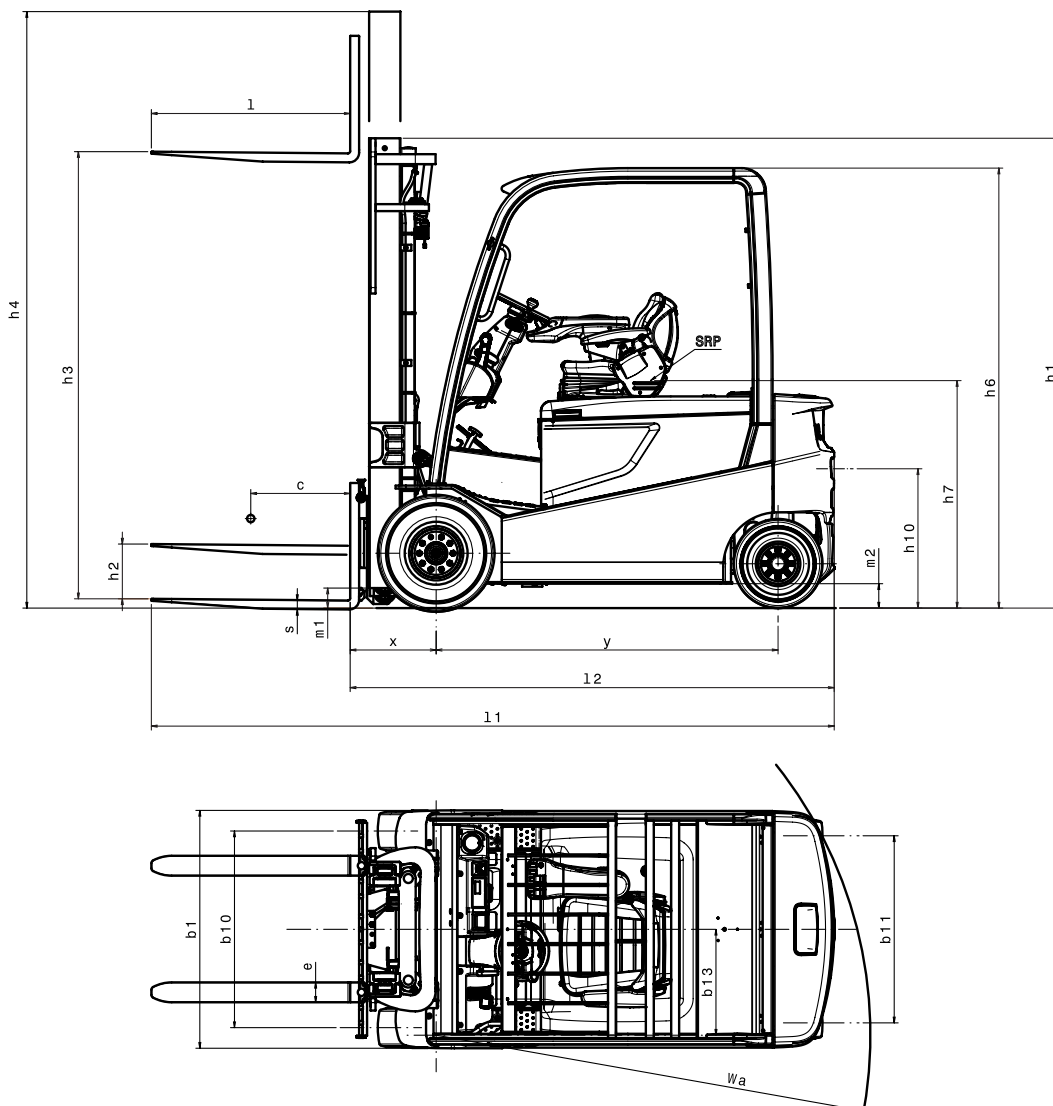
## CESAB B625L - B630L - B635 Truck Specifications

CHARACTERISTICS							
1.1	Manufacturer		CESAB		CESAB		CESAB
1.2	Model designation		<b>B625L</b>		<b>B630L</b>		<b>B635</b>
1.3	Power unit: electric (battery), diesel, petrol, LPG		Electric		Electric		Electric
1.4	Operation: manual, pedestrian, stand-on, driver seated		Driver seated		Driver seated		Driver seated
1.5	Load capacity	Q [t]	2,5		3,0		3,5
1.6	Load centre	c [mm]	500		500		500
1.8	Axle centre to fork face	x [mm]	427,5	b	429.5	b	429.5
1.9	Wheel-base	y [mm]	1720		1720		1720
WEIGHTS							
2.1	Weight	kg	4809	a	5161	a	5593
2.2	Axle load with load, front/rear	kg	6253 / 1056		7280 / 881		8048 / 1045
2.3	Axle load without load, front/rear	kg	2415 / 2394		2638 / 2524		2632 / 2961
WHEELS AND CHASSIS							
3.1	Tyres: C=Cushion, SE=Superelastic, PN=Pneumatic, TW=Twin		SE		SE		SE
3.2	Tyre size, front		23x9-10		23x10-12		315/45-12
3.3	Tyre size, rear		18x7-8		18x7-8		18x7-8
3.5	Wheels, number front/rear (x = driven)		2x / 2		2x / 2		2x / 2
3.6	Track width, front	b <sub>10</sub> [mm]	986		946		1009
3.7	Track width, rear	b <sub>11</sub> [mm]	940		940		940
DIMENSIONS							
4.1	Mast tilt, forward/backward	$\alpha / \beta$ [°]	5° / 8°		5° / 8°		5° / 8°
4.2	Height of mast, lowered	h <sub>1</sub> [mm]	2235		2365		2365
4.3	Free lift	h <sub>2</sub> [mm]	80		80		80
4.4	Lift height	h <sub>3</sub> [mm]	3300		3300		3300
4.5	Height of mast, extended	h <sub>4</sub> [mm]	3999		3975		3975
4.7	Height of overhead guard	h <sub>6</sub> [mm]	2215		2215		2215
4.8	Height of driver's seat	h <sub>7</sub> [mm]	1143		1143		1143
4.12	Towing coupling height	h <sub>10</sub> [mm]	700		700		700
4.19	Overall length	l <sub>1</sub> [mm]	3633		3635		3667
4.20	Length to fork face	l <sub>2</sub> [mm]	2433		2435		2467
4.21	Overall width	b <sub>1</sub> , b <sub>2</sub> [mm]	1195		1195		1299
4.22	Fork dimensions	s/e/l [mm]	40x100x1200		45x100x1200		45x125x1200
4.23	Fork carriage to DIN 15173, class/form A, B		IIA		IIIA		IIIA
4.24	Width of fork carriage	b <sub>3</sub> [mm]	1070		1070		1070
4.31	Floor clearance, mast (with load)	m <sub>1</sub> [mm]	105		105		105
4.32	Floor clearance, centre of wheel-base (with load)	m <sub>2</sub> [mm]	127		127		127
4.33	Aisle width with pallets 1000 x 1200 across forks	Ast [mm]	3813		3815		3844
4.34	Aisle width with pallets 800 x 1200 along forks	Ast [mm]	4012		4014		4043
4.35	Turning radius	Wa [mm]	2184		2184		2213
4.36	Minimum distance between the centres of rotation	b <sub>13</sub> [mm]	532		532		532
PERFORMANCES							
5.1	Travel speed, with/without load	km/h	18 / 19		18 / 19		18 / 19
5.2	Lifting speed, with/without load	m/s	0,43 / 0,60		0,37 / 0,52		0,34 / 0,52
5.3	Lowering speed, with/without load	m/s	0,56 / 0,48		0,56 / 0,45		0,56 / 0,45
5.5	Tractive force, with/without load	N	8900		8900		8900
5.6	Maximum tractive force, with/without load, S2 5 minute rating	N	19000		19000		19000
5.7	Climbing ability, with/without load, S2 30 minute rating	%	15 / 25		13 / 23		11 / 21
5.8	Maximum climbing ability, with/without load, S2 5 minute rating	%	24 / 29		22 / 29		19 / 27
5.9	Acceleration time, with/without load	s	5,0 / 4,6		5,2 / 4,6		5,3 / 4,7
5.10	Service brake: mechanical/hydraulic/electric/pneumatic		Mechanical / Hydraulic		Mechanical / Hydraulic		Mechanical / Hydraulic
ELECTRIC MOTOR							
6.1	Drive motor, S2 60 minute rating	kW	20		20		20
6.2	Lift motor, S3 15% rating	kW	25,5		25,5		25,5
6.3	Battery according DIN 43531/35/36 A, B, C, NO		DIN 43536		DIN 43536		DIN 43536
6.4	Battery voltage/rated capacity (5 h)	V/Ah	80 / 700		80/700		80/700
6.5	Battery weight	kg	1863		1863		1863
6.6	Energy consumption in acc. with VDI cycle	kWh/h	-		-		-
OTHERS							
8.1	Type of drive control		AC		AC		AC
8.2	Working pressure for attachments bar	bar	160		160		160
8.3	Oil flow for attachments	l/min	40		40		40
8.4	Noise level at the driver's ear	dB (A)	68.8		68.8		68.8
8.5	Towing coupling, design/type DIN		-		-		-

a) With battery, b) With fork carriage. NOTES: Unless otherwise specified, all data refer to vehicles with SE tyres. All performance figures refer to fully run-in vehicles, in perfect working status with homologated tyres mix, battery fully charged and excellent conditions with closed circuit voltage equal to nominal value. Truck performance and dimensions are nominal and subject to tolerances.



## CESAB B625L - B630L - B635 Dimensional Drawings



The data in this specification sheet was determined on our standard testing conditions. Operating performance may vary depending on the actual specification and condition of the truck, as well as the condition of the operating area. Availability and specifications are determined regionally and are subject to change without notice. Please consult your authorized CESAB dealership for further details.

## Mast Specifications

Duplex NFL (2,5t)				
$h_3$	Lift height	3300	3700	4500
$h_1$	Height of mast, lowered	2235	2585	3085
$h_2$	Free lift	80	80	80
$h_4$	Height of mast, extended	3990	4390	5190
$\alpha/\beta$	Mast tilt forw./backw.	5°/8°	5°/8°	5°/6°

Duplex FFL (2,5t)				
$h_3$	Lift height	3300	3700	4000
$h_1$	Height of mast, lowered	2255	2505	2655
$h_2$	Free lift	1660	1840	2050
$h_4$	Height of mast, extended	3895	4365	4605
$\alpha/\beta$	Mast tilt forw./backw.	5°/8°	5°/8°	5°/8°

Triplex FFL (2,5t)				
$h_3$	Lift height	4700	5000	5500
$h_1$	Height of mast, lowered	2205	2305	2505
$h_2$	Free lift	1600	1700	1900
$h_4$	Height of mast, extended	5305	5605	6105
$\alpha/\beta$	Mast tilt forw./backw.	5°/6°	5°/6°	5°/6°

Duplex NFL (3,0-3,5t)				
$h_3$	Lift height	3300	3700	4500
$h_1$	Height of mast, lowered	2365	2555	3055
$h_2$	Free lift	80	80	80
$h_4$	Height of mast, extended	3975	4365	5265
$\alpha/\beta$	Mast tilt forw./backw.	5°/8°	5°/8°	5°/6°

Duplex FFL (3,0-3,5t)				
$h_3$	Lift height	3300	3700	4000
$h_1$	Height of mast, lowered	2355	2555	2755
$h_2$	Free lift	1700	1900	2040
$h_4$	Height of mast, extended	3955	4355	4615
$\alpha/\beta$	Mast tilt forw./backw.	5°/8°	5°/8°	5°/8°

Triplex FFL (3,0-3,5t)				
$h_3$	Lift height	4700	5000	5500
$h_1$	Height of mast, lowered	2305	2405	2605
$h_2$	Free lift	1650	1750	1950
$h_4$	Height of mast, extended	5355	5655	6155
$\alpha/\beta$	Mast tilt forw./backw.	5°/6°	5°/6°	5°/6°

## CESAB B640 - B645 Truck Specifications

CHARACTERISTICS						
1.1	Manufacturer		CESAB	CESAB		
1.2	Model designation		<b>B640</b>	<b>B645</b>		
1.3	Power unit: electric (battery), diesel, petrol, LPG		Electric	Electric		
1.4	Operation: manual, pedestrian, stand-on, driver seated		Driver seated	Driver seated		
1.5	Load capacity	Q [t]	4,0	4,5		
1.6	Load centre	c [mm]	500	500		
1.8	Axle centre to fork face	x [mm]	522	b	522	b
1.9	Wheel-base	y [mm]	2030		2030	
WEIGHTS						
2.1	Weight	kg	6546	a	7086	a
2.2	Axle load with load, front/rear	kg	9569 / 1078		10284 / 1304	
2.3	Axle load without load, front/rear	kg	3554 / 3092		3517 / 3570	
WHEELS AND CHASSIS						
3.1	Tyres: C=Cushion, SE=Superelastic, PN=Pneumatic, TW=Twin		SE		SE	
3.2	Tyre size, front		250-15		250-15	
3.3	Tyre size, rear		23x9-10		23x9-10	
3.5	Wheels, number front/rear (x = driven)		2x / 2		2x / 2	
3.6	Track width, front	b10 [mm]	1119		1119	
3.7	Track width, rear	b11 [mm]	1113		1113	
DIMENSIONS						
4.1	Mast tilt, forward/backward	$\alpha / \beta$ [°]	5° / 10°		5° / 10°	
4.2	Height of mast, lowered	$h_1$ [mm]	2500		2500	
4.3	Free lift	$h_2$ [mm]	80		80	
4.4	Lift height	$h_3$ [mm]	3300		3300	
4.5	Height of mast, extended	$h_4$ [mm]	4156		4156	
4.7	Height of overhead guard	$h_6$ [mm]	2360		2360	
4.8	Height of driver's seat	$h_7$ [mm]	1277		1277	
4.12	Towing coupling height	$h_{10}$ [mm]	720		720	
4.19	Overall length	$l_1$ [mm]	3892		3917	
4.20	Length to fork face	$l_2$ [mm]	2892		2917	
4.21	Overall width	$b_1, b_2$ [mm]	1345		1345	
4.22	Fork dimensions	s/e/l [mm]	50x150x1200		50x150x1200	
4.23	Fork carriage to DIN 15173, class/form A, B		IIIA		IIIA	
4.24	Width of fork carriage	$b_3$ [mm]	1170		1170	
4.31	Floor clearance, mast (with load)	$m_1$ [mm]	150		150	
4.32	Floor clearance, centre of wheel-base (with load)	$m_2$ [mm]	145		145	
4.33	Aisle width with pallets 1000 x 1200 across forks	Ast [mm]	4311		4331	
4.34	Aisle width with pallets 800 x 1200 along forks	Ast [mm]	4511		4531	
4.35	Turning radius	Wa [mm]	2589		2609	
4.36	Minimum distance between the centres of rotation	$b_{13}$ [mm]	685		685	
PERFORMANCES						
5.1	Travel speed, with/without load	km/h	17,5 / 17,5		17,5 / 17,5	
5.2	Lifting speed, with/without load	m/s	0,33 / 0,47		0,33 / 0,47	
5.3	Lowering speed, with/without load	m/s	0,55 / 0,46		0,55 / 0,46	
5.5	Tractive force, with/without load	N	12420		12420	
5.6	Maximum tractive force, with/without load, S2 5 minute rating	N	22000		22000	
5.7	Climbing ability, with/without load, S2 30 minute rating	%	11,3 / 17,0		9,5 / 16,8	
5.8	Maximum climbing ability, with/without load, S2 5 minute rating	%	15 / 25		14 / 24	
5.9	Acceleration time, with/without load	s	5,4 / 4,8		5,5 / 4,8	
5.10	Service brake: mechanical/hydraulic/electric/pneumatic		Mechanical / Hydraulic		Mechanical / Hydraulic	
ELECTRIC MOTOR						
6.1	Drive motor, S2 60 minute rating	kW	25,2		25,2	
6.2	Lift motor, S3 15% rating	kW	25,5		25,5	
6.3	Battery according DIN 43531/35/36 A, B, C, NO		DIN 43536		DIN 43536	
6.4	Battery voltage/rated capacity (5 h)	V/Ah	80/840		80/840	
6.5	Battery weight	kg	2178		2178	
6.6	Energy consumption in acc. with VDI cycle	kWh/h	-		-	
OTHERS						
8.1	Type of drive control		AC		AC	
8.2	Working pressure for attachments bar	bar	Adjustable 160 - 180		Adjustable 160 - 180	
8.3	Oil flow for attachments	l/min	70		70	
8.4	Noise level at the driver's ear	dB (A)	68		68	
8.5	Towing coupling, design/type DIN		-		-	

a) With battery, b) With fork carriage. NOTES: Unless otherwise specified, all data refer to vehicles with SE tyres. All performance figures refer to fully run-in vehicles, in perfect working status with homologated tyres mix, battery fully charged and excellent conditions with closed circuit voltage equal to nominal value. Truck performance and dimensions are nominal and subject to tolerances.







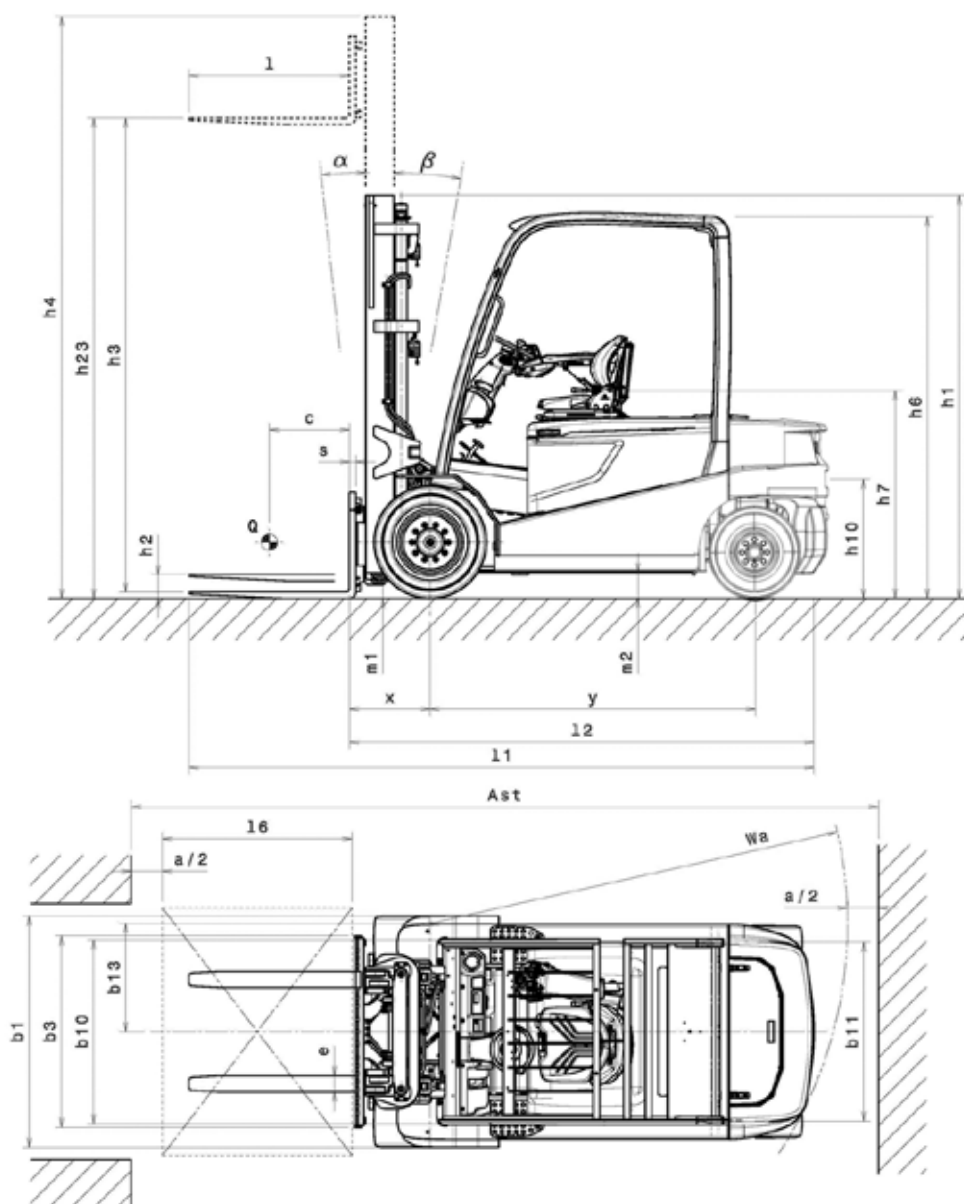
## CESAB B650 Truck Specifications

CHARACTERISTICS				
1.1	Manufacturer		CESAB	
1.2	Model designation		<b>B650</b>	
1.3	Power unit: electric (battery), diesel, petrol, LPG		Electric	
1.4	Operation: manual, pedestrian, stand-on, driver seated		Driver seated	
1.5	Load capacity	Q [t]	5,0	
1.6	Load centre	c [mm]	600	
1.8	Axle centre to fork face	x [mm]	532	b
1.9	Wheel-base	y [mm]	2030	
WEIGHTS				
2.1	Weight	kg	7738	a
2.2	Axle load with load, front/rear	kg	11347 / 1392	
2.3	Axle load without load, front/rear	kg	3557 / 4181	
WHEELS AND CHASSIS				
3.1	Tyres: C=Cushion, SE=Superelastic, PN=Pneumatic, TW=Twin		SE	
3.2	Tyre size, front		28x12,5-15	
3.3	Tyre size, rear		23x9-10	
3.5	Wheels, number front/rear (x = driven)		2x / 2	
3.6	Track width, front	b <sub>10</sub> [mm]	1145	
3.7	Track width, rear	b <sub>11</sub> [mm]	1113	
DIMENSIONS				
4.1	Mast tilt, forward/backward	$\alpha / \beta$ [°]	5° / 10°	
4.2	Height of mast, lowered	h <sub>1</sub> [mm]	2500	
4.3	Free lift	h <sub>2</sub> [mm]	80	
4.4	Lift height	h <sub>3</sub> [mm]	3300	
4.5	Height of mast, extended	h <sub>4</sub> [mm]	4156	
4.7	Height of overhead guard	h <sub>6</sub> [mm]	2360	
4.8	Height of driver's seat	h <sub>7</sub> [mm]	1277	
4.12	Towing coupling height	h <sub>10</sub> [mm]	720	
4.19	Overall length	l <sub>1</sub> [mm]	4227	
4.20	Length to fork face	l <sub>2</sub> [mm]	3027	
4.21	Overall width	b <sub>1</sub> , b <sub>2</sub> [mm]	1440	
4.22	Fork dimensions	s/e/l [mm]	60x150x1200	
4.23	Fork carriage to DIN 15173, class/form A, B		IIIA	
4.24	Width of fork carriage	b <sub>3</sub> [mm]	1170	
4.31	Floor clearance, mast (with load)	m <sub>1</sub> [mm]	150	
4.32	Floor clearance, centre of wheel-base (with load)	m <sub>2</sub> [mm]	145	
4.33	Aisle width with pallets 1000 x 1200 across forks	Ast [mm]	4433	
4.34	Aisle width with pallets 800 x 1200 along forks	Ast [mm]	4633	
4.35	Turning radius	Wa [mm]	2701	
4.36	Minimum distance between the centres of rotation	b <sub>13</sub> [mm]	685	
PERFORMANCES				
5.1	Travel speed, with/without load	km/h	17,5 / 17,5	
5.2	Lifting speed, with/without load	m/s	0,31 / 0,44	
5.3	Lowering speed, with/without load	m/s	0,55 / 0,46	
5.5	Tractive force, with/without load	N	12420	
5.6	Maximum tractive force, with/without load, S2 5 minute rating	N	22000	
5.7	Climbing ability, with/without load, S2 30 minute rating	%	8,8 / 15,8	
5.8	Maximum climbing ability, with/without load, S2 5 minute rating	%	13 / 23	
5.9	Acceleration time, with/without load	s	5,6 / 4,9	
5.10	Service brake: mechanical/hydraulic/electric/pneumatic		Mechanical / Hydraulic	
ELECTRIC MOTOR				
6.1	Drive motor, S2 60 minute rating	kW	25,2	
6.2	Lift motor, S3 15% rating	kW	25,5	
6.3	Battery according DIN 43531/35/36 A, B, C, NO		DIN 43536	
6.4	Battery voltage/rated capacity (5 h)	V/Ah	80/840	
6.5	Battery weight	kg	2178	
6.6	Energy consumption in acc. with VDI cycle	kWh/h	-	
OTHERS				
8.1	Type of drive control		AC	
8.2	Working pressure for attachments bar	bar	Adjustable 160 - 180	
8.3	Oil flow for attachments	l/min	70	
8.4	Noise level at the driver's ear	dB (A)	68	
8.5	Towing coupling, design/type DIN		-	

a) With battery, b) With fork carriage. NOTES: Unless otherwise specified, all data refer to vehicles with SE tyres. All performance figures refer to fully run-in vehicles, in perfect working status with homologated tyres mix, battery fully charged and excellent conditions with closed circuit voltage equal to nominal value. Truck performance and dimensions are nominal and subject to tolerances.



## CESAB B650 Dimensional Drawings



The data in this specification sheet was determined on our standard testing conditions. Operating performance may vary depending on the actual specification and condition of the truck, as well as the condition of the operating area. Availability and specifications are determined regionally and are subject to change without notice. Please consult your authorized CESAB dealership for further details.

## Mast Specifications

Duplex NFL (5.0t)				
h <sub>3</sub>	Lift height	3300	3700	4500
h <sub>1</sub>	Height of mast, lowered	2500	2750	3130
h <sub>2</sub>	Free lift	80	80	80
h <sub>4</sub>	Height of mast, extended	4156	4560	5356
α/β	Mast tilt forw./backw.	5°/10°	5°/10°	5°/6°

Duplex FFL (5.0t)				
h <sub>3</sub>	Lift height	3300	3700	4000
h <sub>1</sub>	Height of mast, lowered	2630	2880	3130
h <sub>2</sub>	Free lift	1740	1990	2240
h <sub>4</sub>	Height of mast, extended	4190	4590	4890
α/β	Mast tilt forw./backw.	5°/10°	5°/10°	5°/10°

Triplex FFL (5.0t)				
h <sub>3</sub>	Lift height	4700	5000	5500
h <sub>1</sub>	Height of mast, lowered	2500	2630	2880
h <sub>2</sub>	Free lift	1610	1740	1990
h <sub>4</sub>	Height of mast, extended	5590	5890	6390
α/β	Mast tilt forw./backw.	5°/6°	5°/6°	5°/6°

