

820 WHEEL LOADER



»»» PRODUCT FEATURES

- Quick change with various attachments
- High performance environmental protection engine imported from Japan
- Whole hood can be overturned, maintenance more convenient
- Safety and comfortable driver protection guard / Cab
- Advanced ergonomic engineering design
- Hydrostatic transmission system, provide two-speed motor to choose, the performance is better.

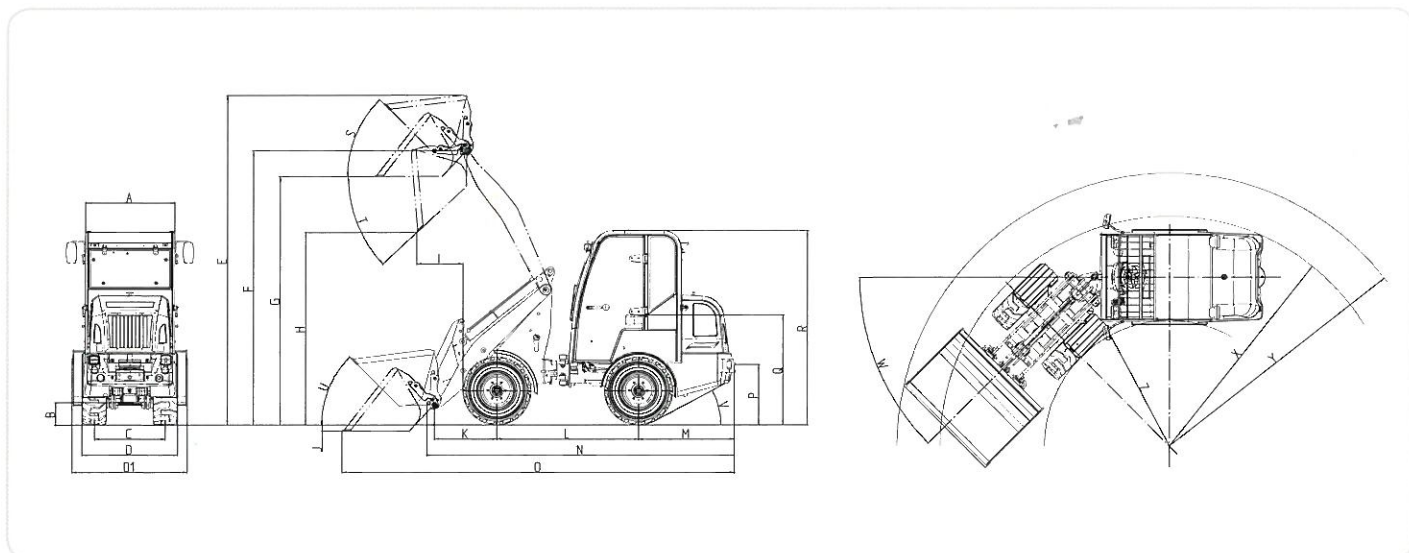
FIRST AVENUE →

TECHNICAL DATA & OUTLINE DIMENSIONS

Model	820 K36	
Engine data		
Manufacturer	KUBOTA	
Engine type	V1505	
Displacement(ml)	1498	
Cylinder	4	
Max. power(kW)	26.5	
Cooling	water-cooled	
Electrical system		
Operating voltage(V)	12	
Battery (Ah)	60	
Weights		
Operating weight(standard) (kg)	2280	
Max. lifting force(kg)	1750	
Tipping loads in bucket (according to ISO 8313)(kg)		
Lift frame horizontal /machine straight	1280	
Lift frame horizontal /machine articulated	840	
Tipping loads in pallet fork (according to ISO 8313)(kg)		
Lift frame horizontal /machine straight	1120	
Lift frame horizontal /machine articulated	700	
Vehicle data		
Driving speed(km/h)	0~16	0~11 0~24
Capacity of fuel tank(l)	45	
Hydraulic oil (l)	40	
Hydraulic system		
Hydraulic driving		
Output(l/min)	102	
Working pressure(bar)	380	
Hydraulic operation		
Output(l/min)	45	
Working pressure (bar)	180	

Model	820 K36	
Dimensions(mm)		
A	Bar width	1048
B	Ground clearance	250
C	Track width	795
D	Total width	1080
D1	Total width with bucket	1320
E	Total working height	3728
F	Max. height of bucket pivot	3100
G	Overhead loading height	2775
H	Max. dumping height	2110
I	Operating distance for M	484
J	Digging depth	200
K	Axle center up to bucket hinge pin	590
L	Wheelbase	1600
M	Rear overhang	1094
N	Total length without bucket	3440
O	Total length with standard bucket	4360
P	Coupler height	700
Q	Seat height	1165
R	Height to top of FOPS bar	2225
S	Rollback angle at max. lifting height	45°
T	Max. dumping angle	45°
U	Backroll angle on the ground	46°
V	Departure angle	27°
W	Turning angle	45°
X	Max. turning radius	3085
Y	Radius at the outer edge	2597
Z	Inside turning radius	1450
Width		
	10-16.5NHS	1080
	31X15.5-15AS	1320
values printed in bold indicate the standard tyre equipment		

FIRST AVENUE reserves the right to explain the above parameter. No prior notice will be given for any changes, some pictures might not be the standard equipments of the model.



FIRST AVENUE

Jiangsu First Avenue Industry Co., Ltd.

Add: No.18 Gongxin Road, JJ industrial zone, Taizhou, Jiangsu, China
 Http://www.firstavenue-cn.com E-mail: firstavenue@outlook.com